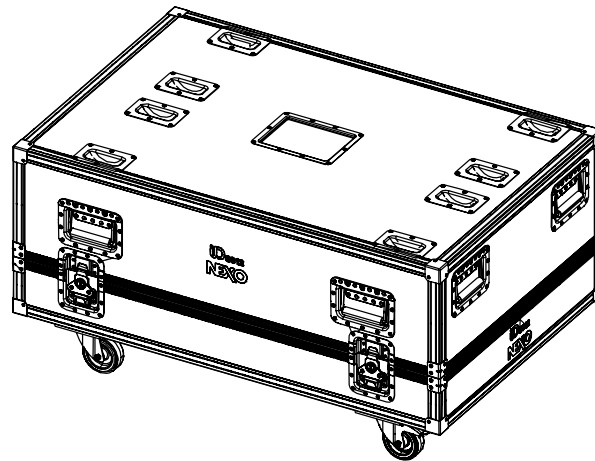
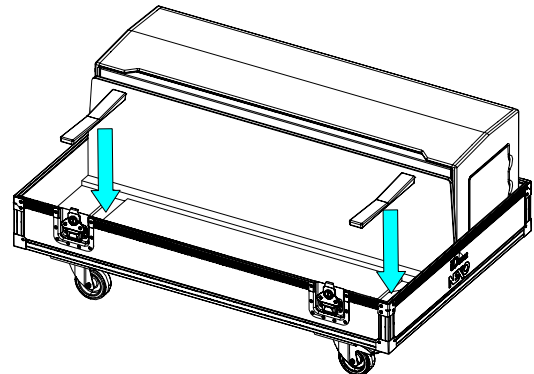
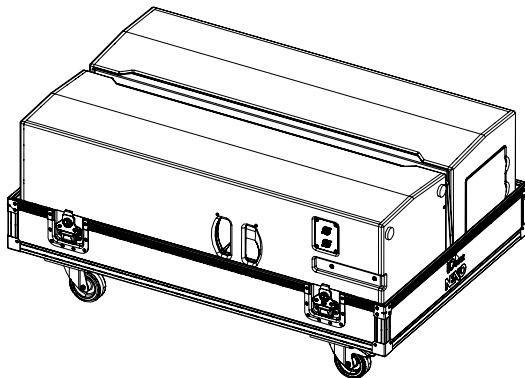


Flight case for 2x IDS312



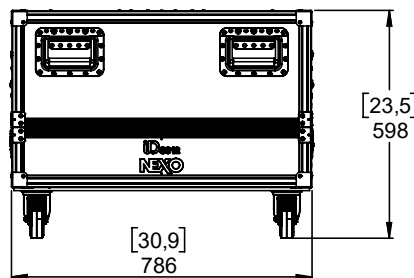
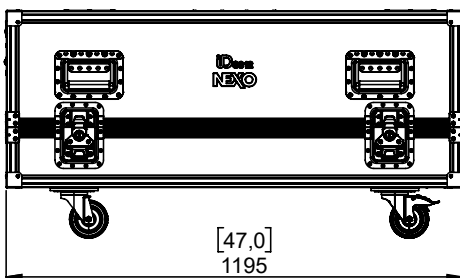
Grille facing the central panel. Access to connectors

Spaces to store MAT312



Weight: 47 kg / 104 lb

Dimensions:



- NEXO cannot accept responsibility for accidents caused by any factor other than defects in this product itself.
- Please check the web site nexo-sa.com for the latest update.