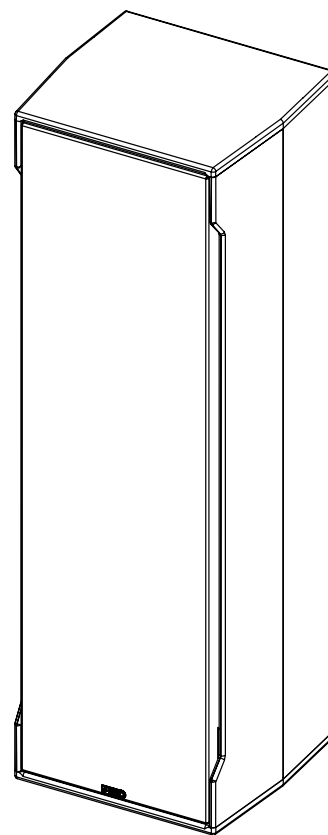
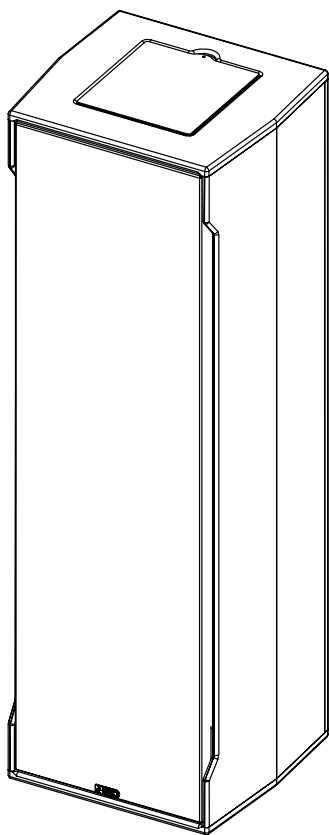


IDS312

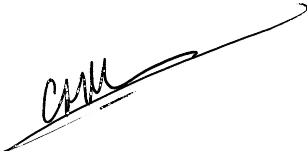


User manual



TABLE OF CONTENTS

TABLE OF CONTENTS _____ 2
 WARNINGS _____ 3
 EQUIPMENT _____ 4
 DESCRIPTION _____ 5
 PRESET _____ 6
 ACCESSORIES _____ 7
 ARRAY EQ _____ 8
 MAINTENANCE _____ 9
 TECHNICAL SPECIFICATIONS _____ 12
 USER NOTES _____ 13

EU Conformity declaration	
	We, NEXO SA ZA DU PRE DE LA DAME JEANNE 60128 PLAILLY – France
Declare under our sole responsibility that the product	Loudspeaker
Type	IDS312
Serial number	On the product
Is in conformity with the provisions of the following directive including all applicable amendments:	2014/35/UE (Low Voltage Directive)
Applied rules and standards:	EN 13155, EN 62368
Plailly, June 2021	Joseph CARCOPINO, R&D Director
	

WARNINGS

PRECAUTIONS

Do not open the speaker, do not try to disassemble it neither to modify it in any way. The system doesn't include any user-repairable part.

If the system seems to be malfunctioning or damaged, stop using it at once and have it repaired by a NEXO qualified technician.

Do not expose the system directly to the sun or to the rain, do not immerse it into fluids, do not place objects filled with liquid on the system. If a liquid gets into the system, please have it inspected by a NEXO qualified technician.

The connection should be performed by qualified technician, by ensuring that power is off.

Operating temperature with temperate climate: 0°C to +40°C (+32°F to +104); -20°C à +60°C (-4°F to +140°F) for storage.

SAFETY INFORMATIONS

Read this manual before using the speaker.

Keep this manual available for further reference.

Observe all warnings and cautions.

Please check the NEXO Web site nexo-sa.com to get the most up-to-date version of this manual.

Ensure you are aware of the safety rules applying to rigging, stacking or installing on tripod or speaker stand. Failure to observe these rules may expose persons to potential wounds or even death.

Only use the system with accessories specified by NEXO.

Please always consult a NEXO-accredited technician if the installation needs architectural works and observe following precautions:

Mounting Precautions:

- Please select screws and mounting location supporting 4 times the system weight.
- Do not expose the system to excessive dust, vibrations, to extreme cold or hot temperatures, to reduce the risk of damaging components.
- Do not place the system in an unstable position: it could fall accidentally.
- If the system is used on a tripod, please ensure the tripod's specifications are adapted and that its height does not exceed 1.40m/55". Do not move the tripod with the system in position.

Connection and Powering Precautions:

- Unplug connected cables before moving the system.
- Power off the system before connecting the system.
- When switching on the installation, the amplifier must be powered last; when switching the installation off, shut off the amplifier first.
- If you work by cold temperatures, progressively raise the level to nominal value during the first minutes of use, to allow the system components to stabilize.

Please check regularly the system condition.

HIGH SOUND PRESSURE LEVELS

Exposure to very high sound pressure levels may cause permanent hearing losses. Degrees of hearing losses may be different from one person to another, but almost everybody will be affected if exposed to high sound pressure levels during a long period of time. The OSHA (Occupational Safety and Health Administration) American Agency specified the following maximal exposures:

Number of Hours	Sound Pressure Level (dBA), Slow Response
8	90
6	92
4	95
3	97
2	100
1 ½	102
1	105
½	110
¼ or less	115

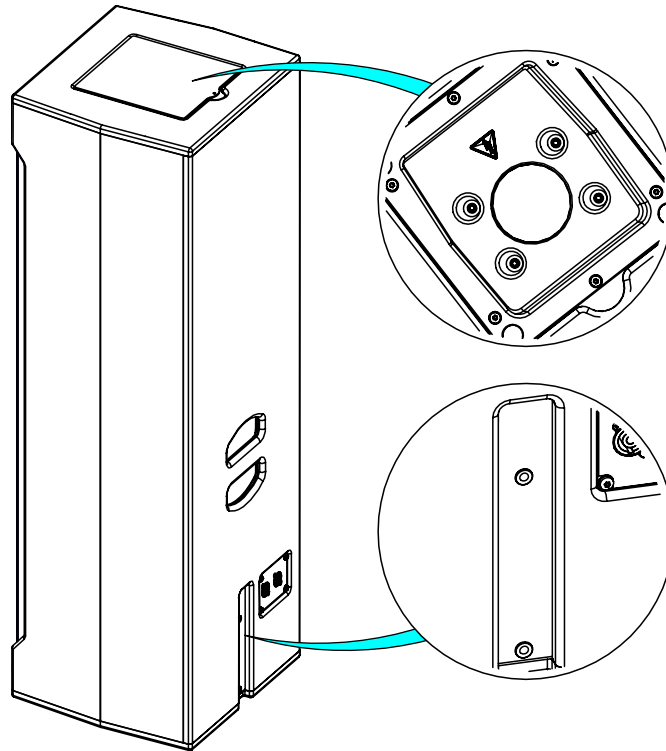
WASTE OF ELECTRIC OR ELECTRONIC EQUIPMENT



This symbol on the product or its packaging indicates that this product must not be treated as household waste. Instead, it is your responsibility to hand it over to a designated collection point for the recycling of waste electrical and electronic equipment. By ensuring your waste equipment is recycled, you will help prevent potential negative consequences for the environment and human health, which could appear if this product was not recycled. Recycling helps spare natural resources. For more information about the recycling of this product, please contact your local city office, your household waste disposal service or your reseller.

EQUIPMENT

Quick connect in the top cover for ID84. (except IDS312-1), 2x NL4 connectors (cable gland for IDS312-I).
1 location for accessory assembly.

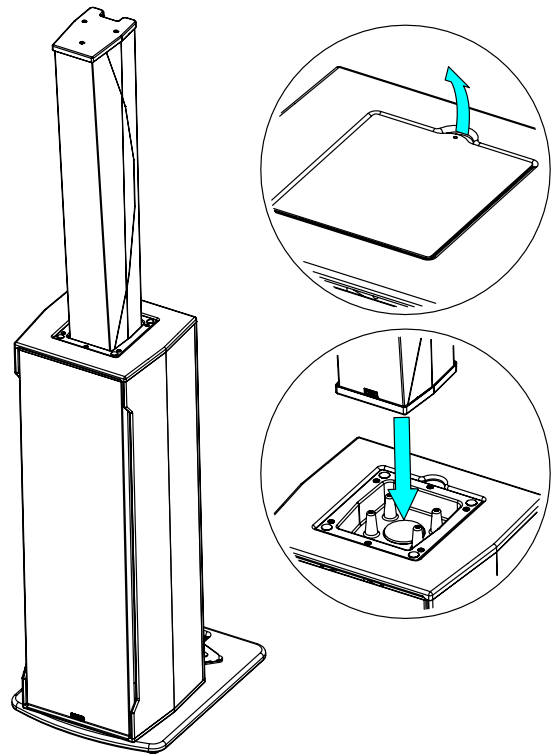


Assembly with ID84

Open the trap above IDS312.
Place ID84 on IDS312, magnet keeps it in place

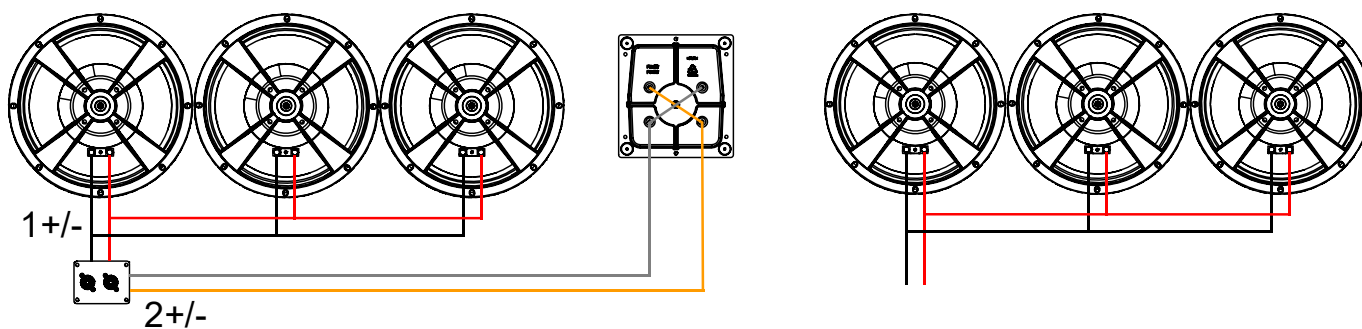
IMPORTANT

Speaker must always be installed on a horizontal surface.
Stand height and footprint must be defined to prevent assembly from collapsing.
Ensure that audience is not allowed within a safety area which radius is equal or higher than assembly height.
Test steadiness of the assembly by pushing in all directions.



DESCRIPTION

- IDS312 is a compact and powerful subwoofer, ideally complementing ID84 speakers
- Versions:
 - IDS312: for Touring Application; black, white
 - IDS312-TIS: for Touring Application, with Installation grille; black, white
 - IDS312-I: for Permanent Installation; black, white
- IDS312 subwoofer is equipped with two Speakon NL4 connectors, with parallel-wired pins, and a quick connect in the top cover for ID84 (except IDS312-I).
- IDS312 / IDS312-TIS uses the 1+/1- pins, (2+/2- through).
- IDS312-I is equipped with a cable gland M20 (clamping range, Ø 5 to 12 mm), supplied with a fixed cable 2x 2.5 mm² section, length 2m, outside diameter 12mm ±1 mm



- Amplification
 - IDS312 subwoofer must be used with a NEXO processor to handle EQ, phase alignment, crossover and excursion/thermal protection for the system loudspeaker.
 - The following table shows the number of IDS312 subwoofers usable with each solution.

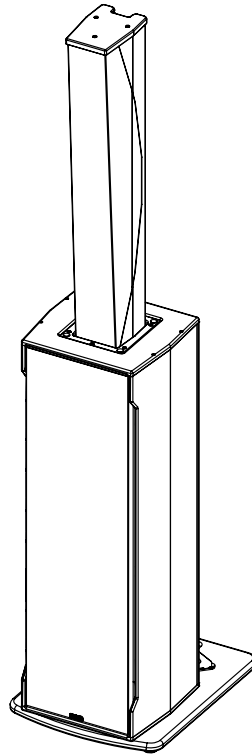
	DTD + DTDAMP4X0.7	DTD + DTDAMP4X1.3	NXAMP4X1mk2	NXAMP4X2mk2	NXAMP4X4mk2
ID84	1 per chanel	1 per chanel	Up to 2 per chanel	Up to 2 per chanel	Up to 2 per chanel
ID84L	1 per chanel	1 per chanel	Up to 2 per chanel	Up to 2 per chanel	Up to 2 per chanel
IDS312			1 per chanel	1 per chanel	1 per chanel

PRESET

Please consult nexo-sa.com for NEXO TD Controllers firmware information.

- 40 Hz – 85 Hz
- 40 HZ – 120 Hz
- 40 Hz – 150 HZ.
- 63 Hz – 120 Hz
- 63 Hz – 150 Hz

With ID84



ACCESSORIES

WARNINGS

All IDS312 accessories are specifically rated in agreement with structural computations.

Never use other accessories – including push-pins – when assembling IDS312 cabinets than the ones provided by NEXO: NEXO will decline responsibility over the entire IDS312 accessory range if any component is purchased from different supplier.

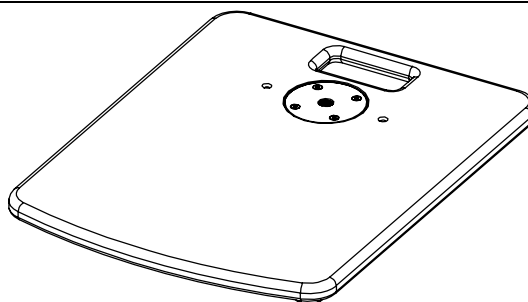
PROHIBITED: IDS312 with ID84/ID84L without dedicated accessory

VNT-BP600

Base plate for ID84/ID84L/IDS312

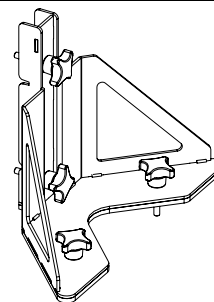
IDT-BPADAPT must be used to secure ID84/ID84L/IDS312 to the base plate

- 1x ID84L + 1x ID84
- 1x IDS312 + 1x ID84



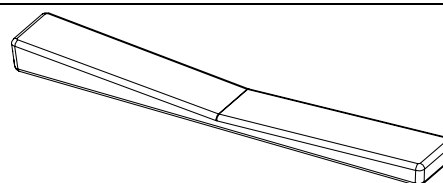
IDT-BPADAPT

Bracket for ID84/ID84L/IDS312, use to secure the assembly with VNT-BP600



IDT-MAT312 (a pair provided with IDS312)

Rubber pad to use IDS312 in horizontal

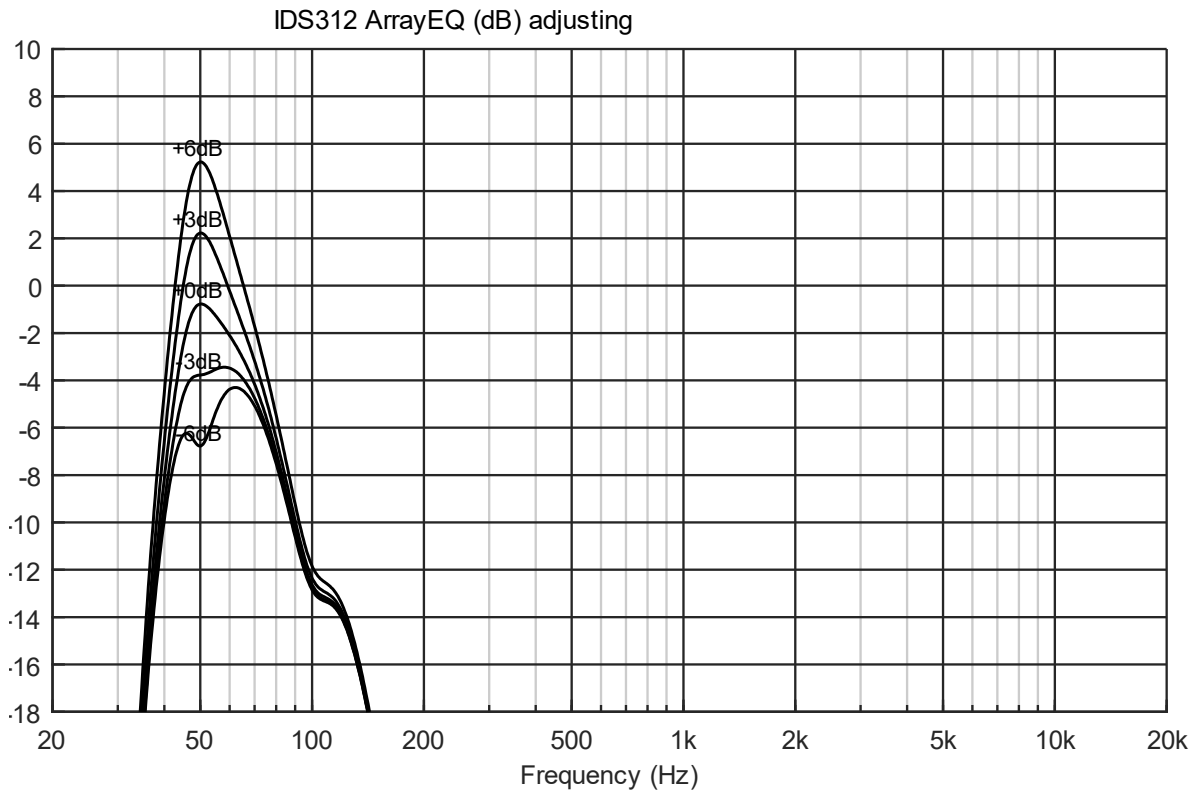


IDT-BAG312: transport bag for 1X IDS312 + pair of IDT-MAT312

IDT-2CASE312: flight case for 2X IDS312 + 2 pairs of IDT-MAT312

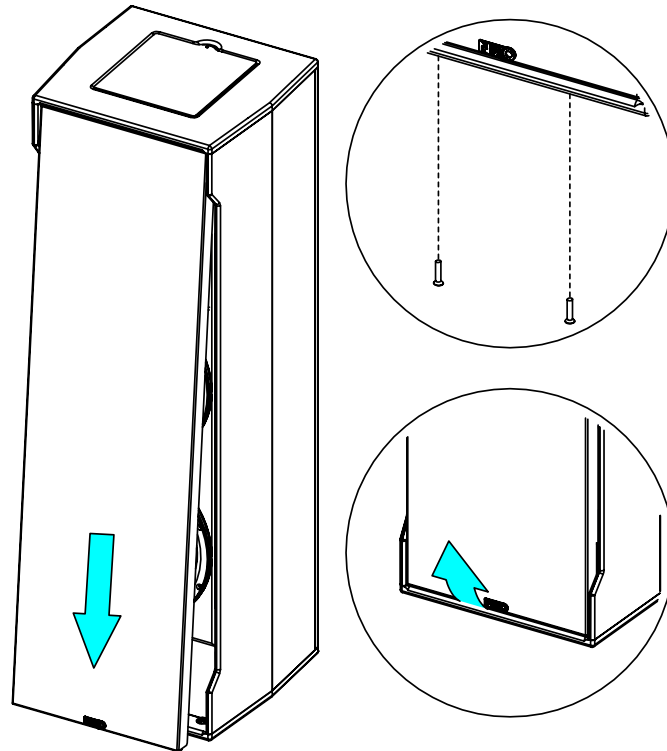
ARRAY EQ

The ArrayEQ allows to adjust the system frequency response in its lower range
(see curves below, with different ArrayEq values):

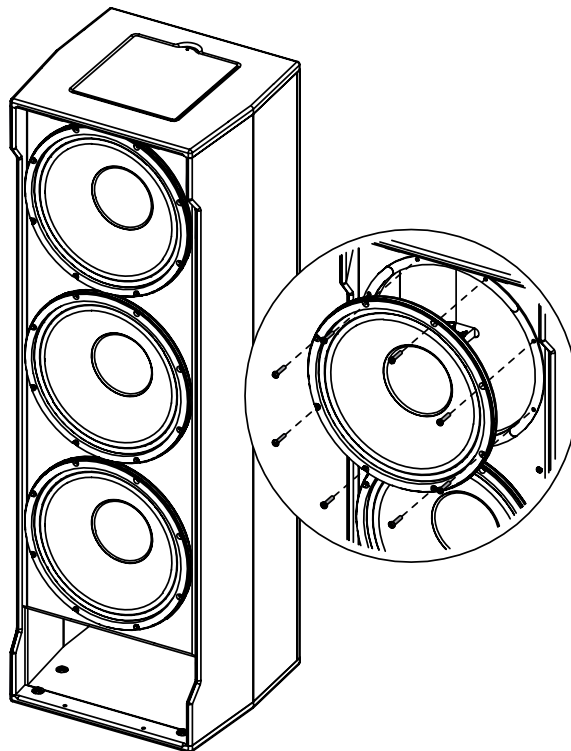


MAINTENANCE**Grille Changing:**

- Remove 2 screws. Tx25. Tightening torque 2.0Nm
- Tilt slightly the grille and pull it downward.

**12'' Driver**

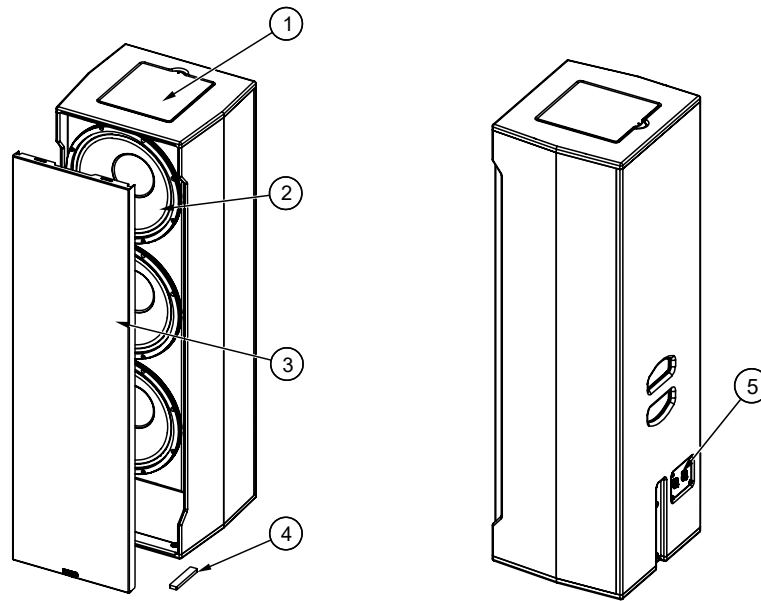
- Remove 8 screws for each driver. Tightening torque 3.5Nm



MAINTENANCE

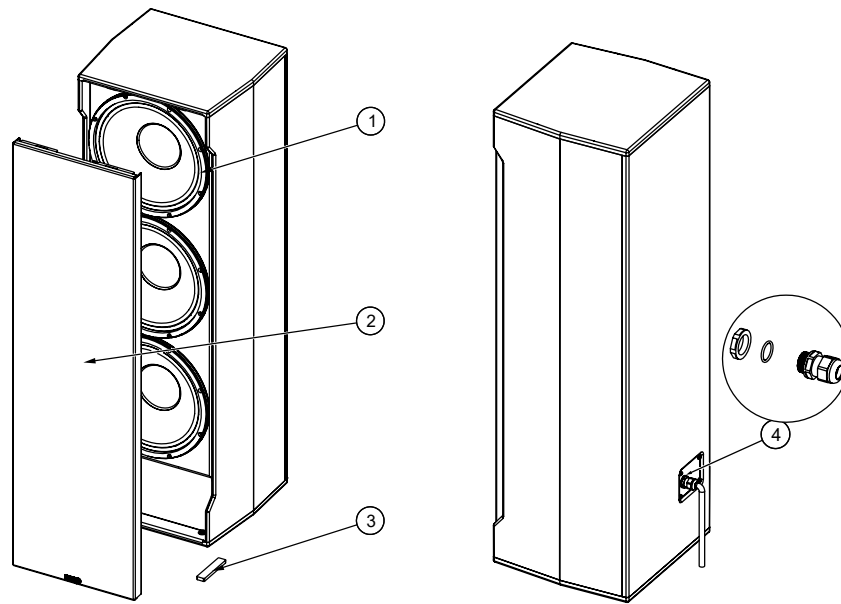
Spare parts

IDS312 T&TIS



MARK	QUANTITY	REFERENCE	DESIGNATION
1	1	05IDS312TOP	Top cover plate Black
	1	05IDS312TOP-PW	Top cover plate White
2	3	05HPB12ND	HP12
	3	05N12ND-4R/K	Recone kit
3	1	05IDS312UA	Complete grille Black (with fasteners) for T version
	1	05IDS312UA-PW	Complete grille White (with fasteners) for T version
	1	05IDS312UA-I	Complete grille Instal Black (with fasteners) for TIS version
	1	05IDS312UA-IPW	Complete grille Instal White (with fasteners) for TIS version
4	4	05PATIN100	Rubber pad with nuts & washers
5	1	05IDS312FPA	CNX complete Black (with screws)
	1	05IDS312FPA-PW	CNX complete White (with screws)

IDS312-I



MARK	QUANTITY	REFERENCE	DESIGNATION
1	3	05HPB12ND	HP12
	3	05N12ND-4R/K	Recone kit
2	1	05IDS312UA-I	IDS312 grille Install Black
	1	05IDS312UA-IPW	IDS312 grille Install White
3	4	05PATIN100	Rubber pad with nuts & washers
4	1	05PREPM20-2	Cable gland Black
	1	05PREPM20-2PW	Cable gland White

TECHNICAL SPECIFICATIONS

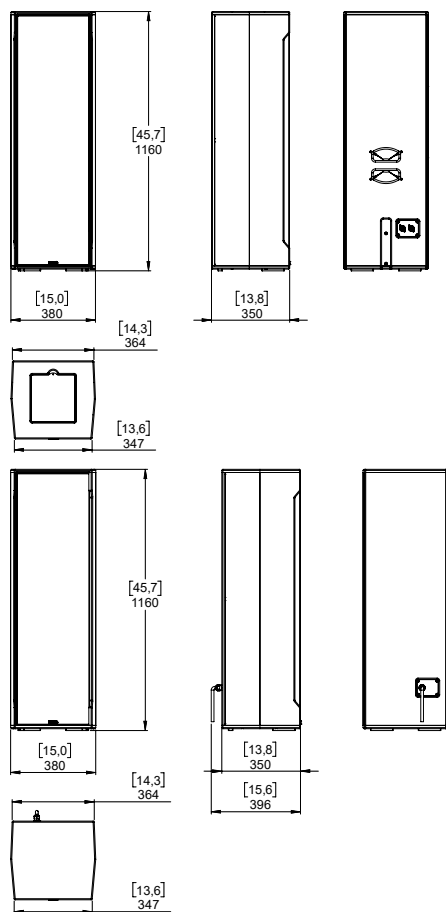
IDS312 WITH NEXO ELECTRONICS

Model	IDS312
Frequency range (±6dB)	40Hz – 120Hz
Peak SPL Level (1m)	138 dB Peak
Operating voltage	35Vrms (105Vpeak)
Crossover Frequency	40-85 Hz; 40-120 Hz; 40-150 Hz; 63-120 Hz; 63-150 Hz
Nominal Impedance	2Ω

SPECIFICATIONS

Model	IDS312
Components	3x 12” – Long excursion – Neodymium driver
Material	Baltic birch plywood
Finish	Black (RAL9005), white (RAL9016) powder coating or custom RAL
Front finish	Magnelis® front grille Magnelis® front grille – Automotive grade front cloth (versions I and TIS)
Fittings	Handle on the back Threaded M6 inserts on the back Quick connect in the top cover (except IDS312-I)
Connector	2x NL4, 4 poles connectors 1x cable gland with 2x core cable (version I)
Weight	31 kg / 68.3 lb

Dimensions



USER NOTES

NEXO S.A.

Parc d'activité de la Dame Jeanne
F-60128 PLAILLY

Tel: +33 3 44 99 00 70

Fax: +33 3 44 99 00 30

E-mail: info@nexo.fr

nexo-sa.com

NEXO