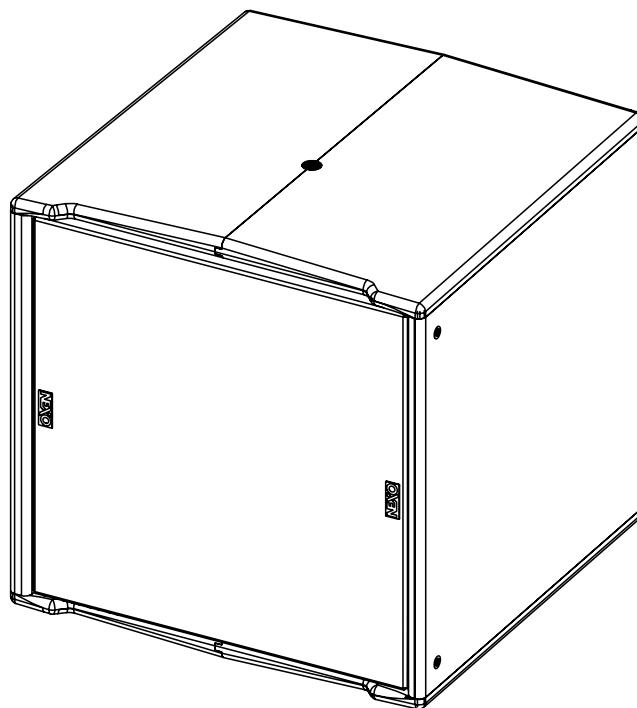


IDS108 / IDS108-I



User manual



TABLE OF CONTENTS

TABLE OF CONTENTS _____ 2

WARNINGS _____ 3

EQUIPMENT _____ 4

DESCRIPTION _____ 6

SETTING RANGE _____ 7

ACCESSORIES _____ 8

ARRAY EQ _____ 10

MAINTENANCE _____ 11

TECHNICAL SPECIFICATIONS _____ 13

USER NOTES _____ 14

EU Conformity declaration	
	We, NEXO SA ZA DU PRE DE LA DAME JEANNE 60128 PLAILLY – France
Declare under our sole responsibility that the product	Loudspeaker
Type	IDS108
Serial number	On the product
Is in conformity with the provisions of the following directive including all applicable amendments:	2014/35/UE (Low Voltage Directive)
Applied rules and standards:	EN 13155, EN 62368
Plailly, August 2020	Joseph CARCOPINO, R&D Director
	

WARNINGS

PRECAUTIONS

Do not open the speaker, do not try to disassemble it neither to modify it in any way. The system doesn't include any user-repairable part. If the system seems to be malfunctioning or damaged, stop using it at once and have it repaired by a NEXO qualified technician.

Do not expose the system directly to the sun or to the rain, do not immerse it into fluids, do not place objects filled with liquid on the system. If a liquid gets into the system, please have it inspected by a NEXO qualified technician.

When flying outdoor systems ensure that the system is not exposed to excessive wind or snow loads and is protected from rainfall.

In case of wind greater than 8 on Beaufort scale (72km/h – 45mph), a touring system has to be landed or an additional securing has to be implanted.

For fixed installations, wind loading has to be taken into account in accordance to the national standards

The connection should be performed by qualified technician, by ensuring that power is off.

Operating temperature with temperate climate: 0°C to +40°C (+32°F to +104°); -20°C à +60°C (-4°F to +140°F) for storage.

SAFETY INFORMATIONS

Read this manual before using the speaker.

Keep this manual available for further reference.

Observe all warnings and cautions.

Please check the NEXO Web site nexo-sa.com to get the most up-to-date version of this manual.

Ensure you are aware of the safety rules applying to rigging, stacking or installing on tripod or speaker stand. Failure to observe these rules may expose persons to potential wounds or even death.

Only use the system with accessories specified by NEXO.

Please always consult a NEXO-accredited technician if the installation needs architectural works and observe following precautions:

Mounting Precautions:

- Please select screws and mounting location supporting 4 times the system weight.
- Do not expose the system to excessive dust, vibrations, to extreme cold or hot temperatures, to reduce the risk of damaging components.
- Do not place the system in an unstable position: it could fall accidentally.
- If the system is used on a tripod, please ensure the tripod's specifications are adapted and that its height does not exceed 1.40m/55". Do not move the tripod with the system in position.

Connection and Powering Precautions:

- Unplug connected cables before moving the system.
- Power off the system before connecting the system.
- When switching on the installation, the amplifier must be powered last; when switching the installation off, shut off the amplifier first.
- If you work by cold temperatures, progressively raise the level to nominal value during the first minutes of use, to allow the system components to stabilize.

Please check regularly the system condition.

HIGH SOUND PRESSURE LEVELS

Exposure to very high sound pressure levels may cause permanent hearing losses. Degrees of hearing losses may be different from one person to another, but almost everybody will be affected if exposed to high sound pressure levels during a long period of time. The OSHA (Occupational Safety and Health Administration) American Agency specified the following maximal exposures:

Number of Hours	Sound Pressure Level (dBA), Slow Response
8	90
6	92
4	95
3	97
2	100
1 ½	102
1	105
½	110
¼ or less	115

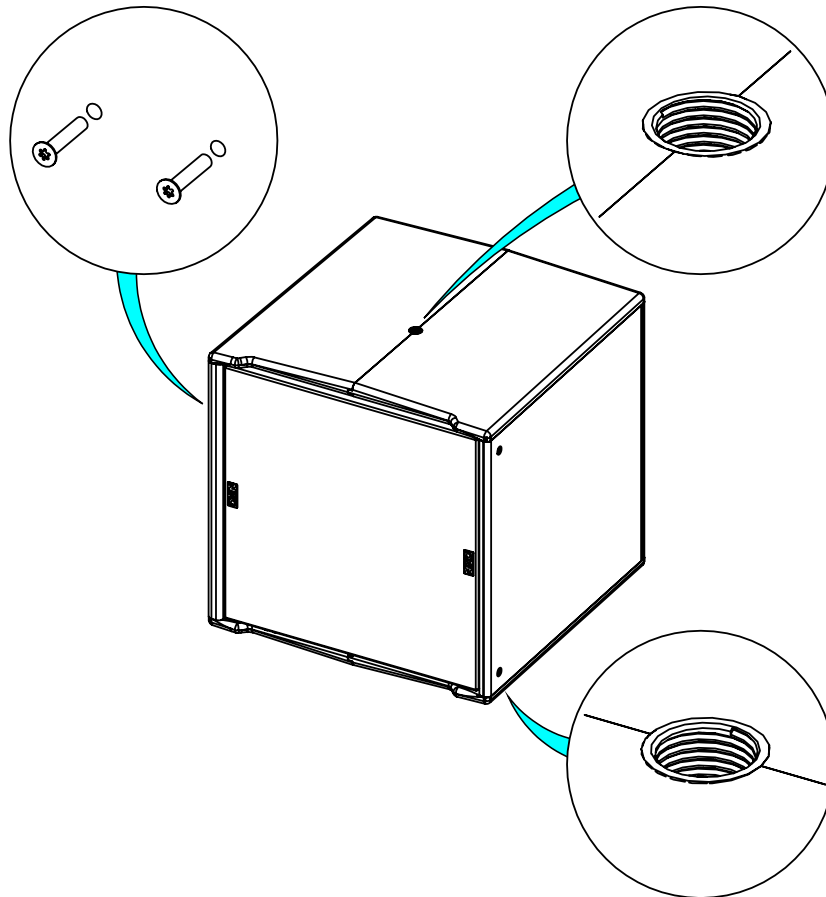
WASTE OF ELECTRIC OR ELECTRONIC EQUIPMENT



This symbol on the product or its packaging indicates that this product must not be treated as household waste. Instead, it is your responsibility to hand it over to a designated collection point for the recycling of waste electrical and electronic equipment. By ensuring your waste equipment is recycled, you will help prevent potential negative consequences for the environment and human health, which could appear if this product was not recycled. Recycling helps spare natural resources. For more information about the recycling of this product, please contact your local city office, your household waste disposal service or your reseller.

EQUIPMENT

3 locations for hanging, 1 on each side (M10) and 1 on the top (2x M5) to place IDI-14TO108.

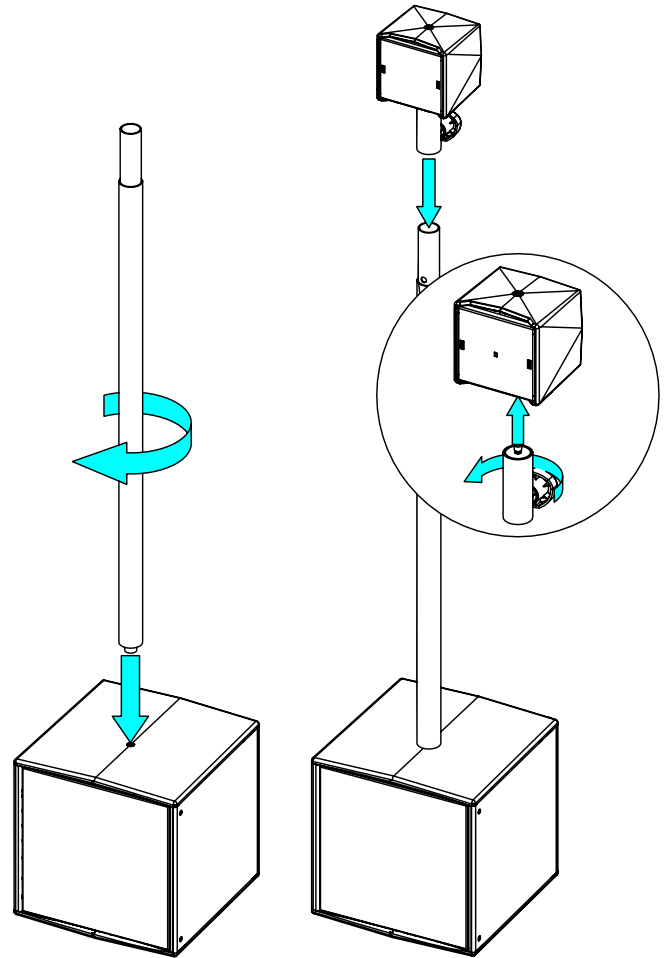


Assembly on distance rod

Fix the pole stand on the connector plate (M10) of the Sub.
Mount the main cabinet on the pole stand / speaker stand

IMPORTANT

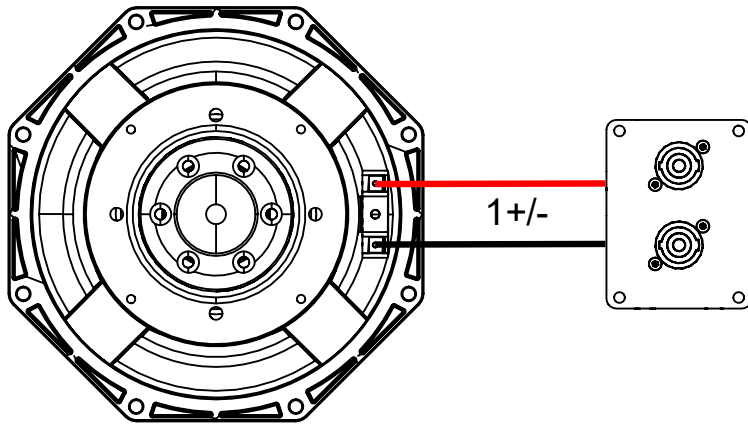
Speaker stand must be rated for the weight of the main cabinet.
Speaker stand must always be installed on a horizontal surface.
Stand height and footprint must be defined to prevent assembly from collapsing.
Ensure that audience is not allowed within a safety area which radius is equal or higher than assembly height.
Test steadiness of the assembly by pushing in all directions.



DESCRIPTION

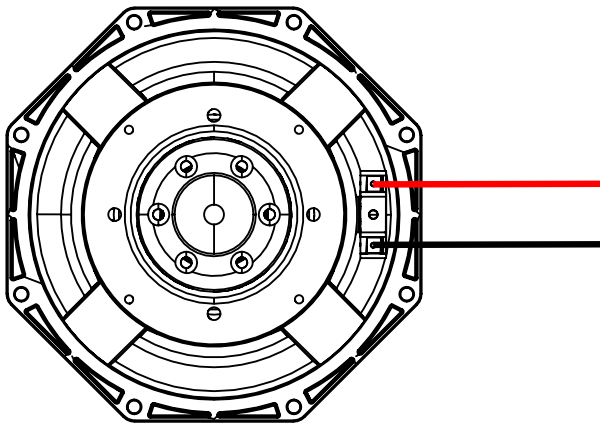
DESCRIPTION

- The IDS108 is a compact and powerful subwoofer, ideal complementing ID14 speaker
- Versions:
 - IDS108: Touring version, black, white
 - IDS108-I: Installation version, black, white
- The IDS108 subwoofer is equipped with two Speakon NL4 connectors with parallel-wired pins, IDS108 uses the 1+/- pins, (2+/- through).



- The IDS108-I is supplied with a fixed cable 2x 0.75mm² section, length 2m, outside diameter 6.1mm ± 1mm.

(+): Brown / Red; (-): Blue / Black



- Amplification
 - The ID108 speakers must be used with a NEXO processor to handle EQ, phase alignment, crossover and excursion/thermal protection for the system loudspeaker.
 - The following table shows the number of ID14 speakers and IDS108 subwoofers usable with each solution.

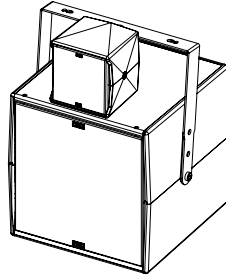
	DTD + DTDAMP4X0.7	DTD + DTDAMP4X1.3	NXAMP4X1mk2	NXAMP4X2mk2	NXAMP4X4mk2
ID14	Up to 4 per channel	Up to 4 per channel	Up to 8 per channel	Up to 8 per channel	Up to 8 per channel
IDS108	Up to 2 per channel	Up to 2 per channel	Up to 3 per channel	Up to 4 per channel	Up to 4 per channel
	Recommended				

SETTING RANGE

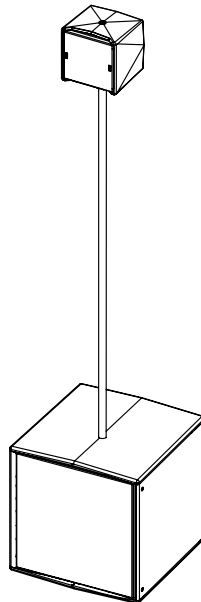
Please consult nexo-sa.com for NEXO TD Controllers firmware information.

For a traditional use of the subwoofer, there are two setups for IDS108:

- 50 – 120 Hz
- 50 – 150 Hz

IDS108 + ID14

Front of house and stage monitor applications



Front of house applications with Subs

WARNINGS

All IDS108 accessories are specifically rated in agreement with structural computations.

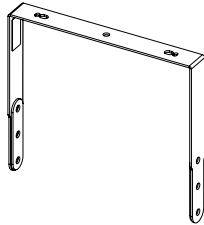
Never use other accessories – including push-pins – when assembling P8 cabinets than the ones provided by NEXO: NEXO will decline responsibility over the entire P8 accessory range if any component is purchased from different supplier.

PROHIBITED: IDS108 below IDS1088 or ID14 below IDS108 without dedicated accessory

IDU-HBRK108

(IDT-HBRK108)

Bracket for Touring or fixed use.

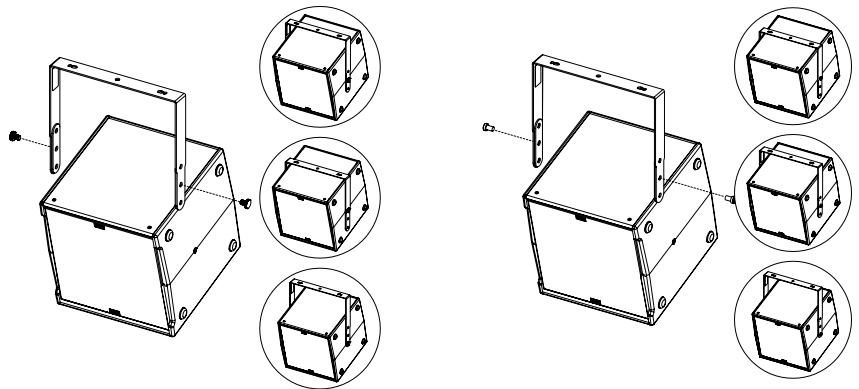


Place HBRK108 on IDS108, 3 positions available.

Use only fasteners provided.

Tight properly

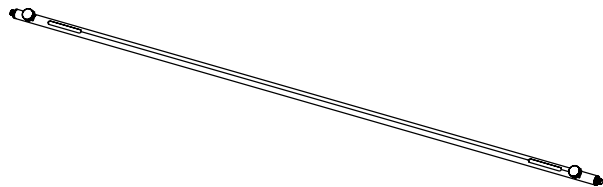
Refer to the Product Data Sheet



IDT-POLE20x1400

Distance Rod for ID14 and IDS108

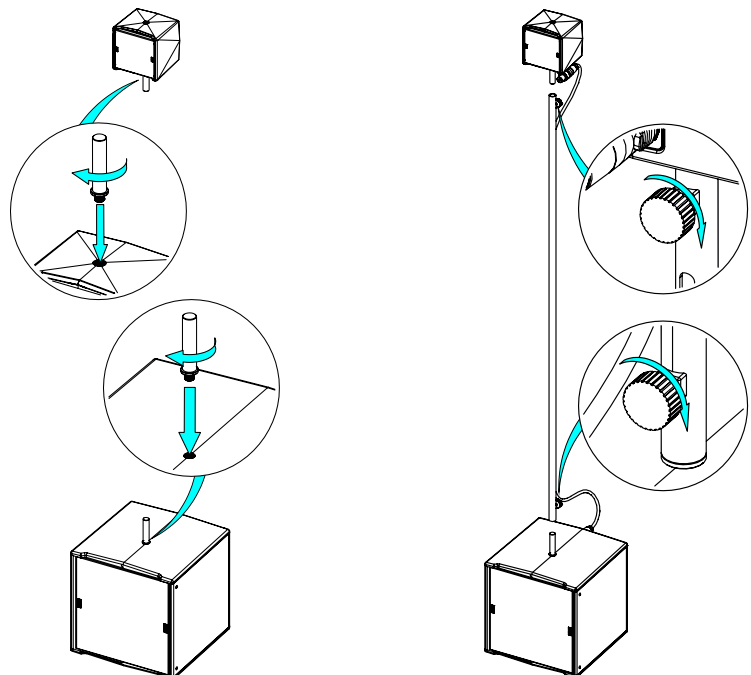
Ø20mm x 1400mm



Screw adapters M10 on IDS108 and on ID14 by hand without tools.

Place distance rod, tighten the two clamping knobs

Refer to the Product Data Sheet

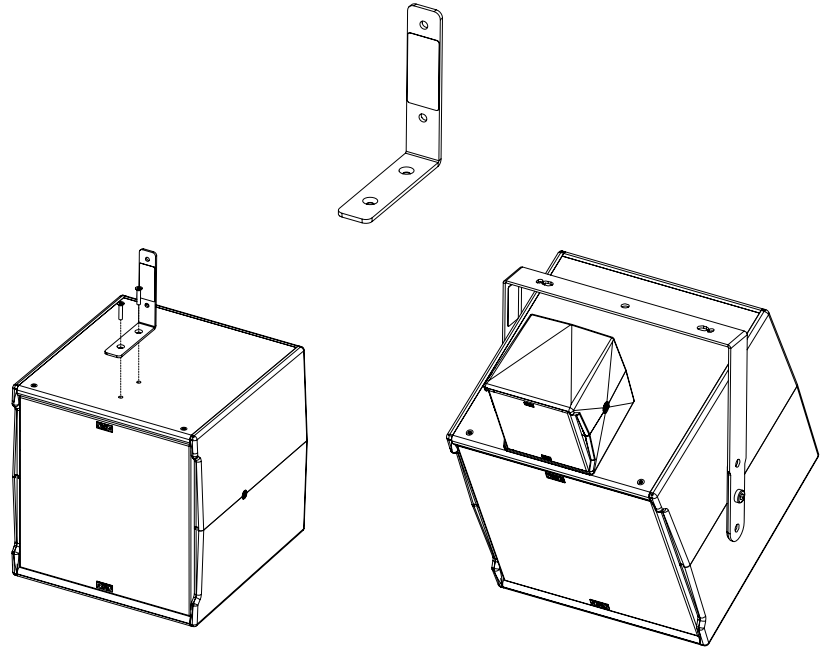


IDI-14TO108

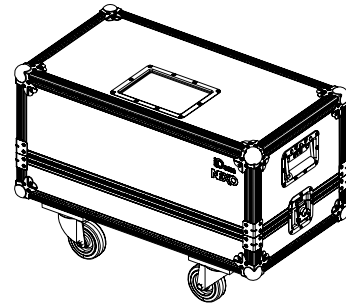
Adapter for ID14 on IDS108.

Place the part on IDS108 and use the 2 screws.

Refer to the Product Data Sheet

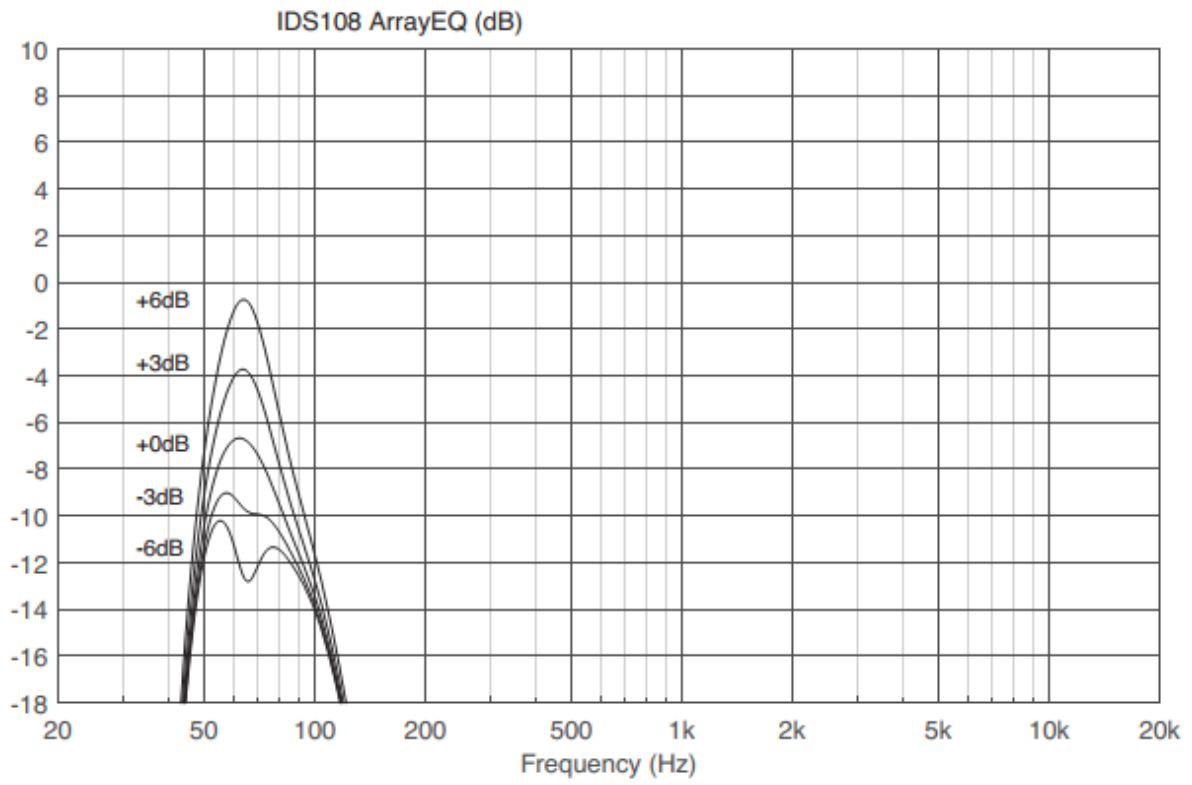
**IDT-2CASE108**

Flight case for 2x IDS108 and 2x HBRK108



ARRAY EQ

The ArrayEQ allows to adjust the system frequency response in its lower range
(see curves below, with different ArrayEq values):

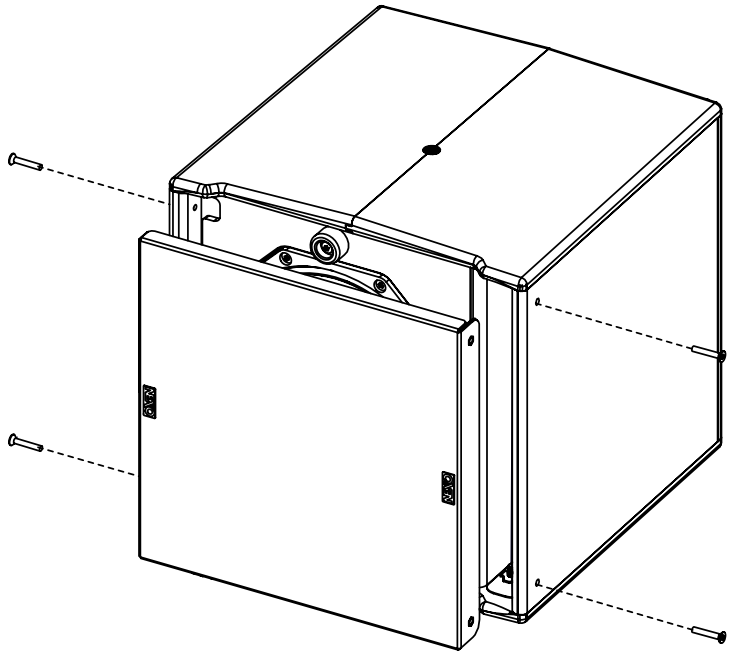


MAINTENANCE

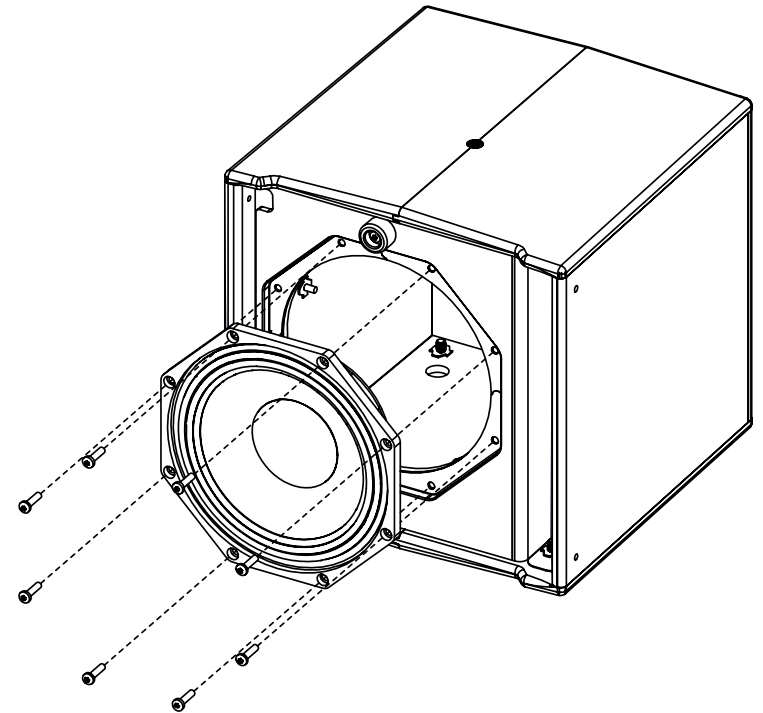
NOTE:
Speakers and Grills can be sent back to NEXO for recycling

Driver access

Remove the 4 screws.

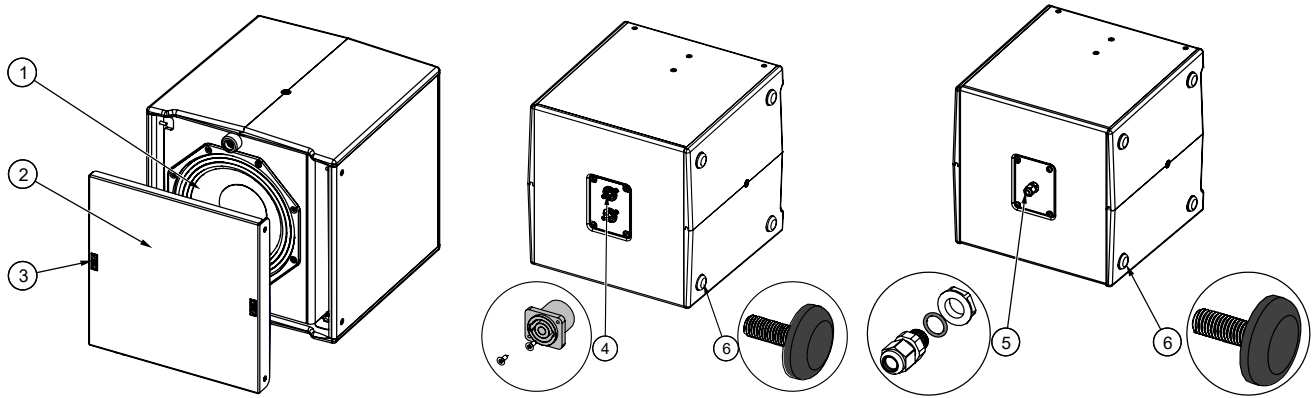


Remove the 8 screws.



MAINTENANCE

Spare parts



MARK	QUANTITY	REFERENCE	DESIGNATION
1	1	05HPB8-ND	HP 8 "
		05N8ND1.0R/K	Recone Kit HPB8
2	1	05IDS108UA	Complete grille Touring Black
		05IDS108UA-PW	Complete grille Touring White
		05IDS108UA-I	Complete grille Installation Black
		05IDS108UA-IPW	Complete grille Installation White
3	2	05LOGNEXO3	Adhesive Logo
4	2	05CNXNL4MDV-1	SpeakON with screws
5	1	05PREPM12	Cable-gland with O-ring; Black
		05PREPM12-PW	Cable-gland with O-ring; White
6	4	05RUBGRID01	Plastic foot Black
		05RUBGRD01-PW	Plastic foot Grey

TECHNICAL SPECIFICATIONS

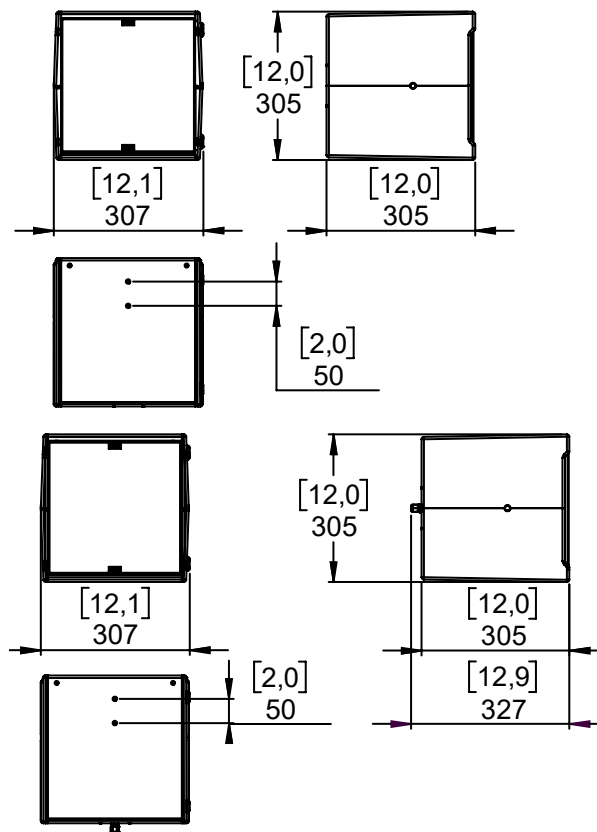
IDS108 WITH NEXO ELECTRONICS

Model	IDS108
Frequency range (± 6 dB)	50 Hz – 150 kHz
Peak SPL Level (1m)	122dB Peak
Operating voltage	30Vrms
Crossover Frequency	50 – 120 Hz / 50 – 150 Hz
Nominal Impedance	8 Ω

SPECIFICATIONS

Model	IDS108
Components	LF: 1x8" - 8 Ω ; Long excursion- Neodymium driver
Material	Baltic birch plywood
Finish	Black or white structural paint
Front finish	Magnelis® front grille with back mesh (Touring version) UV resistant acoustic fabric fitted front grille (Install version)
Fittings	2x M10 threaded inserts on the sides 2x M6 threaded inserts on the top
Connector	2x NL4, 4 poles connectors (Touring version) 1x cable gland with 2 cores cables
Weight	8 kg / 17.6 lb

Dimensions



NEXO S.A.

Parc d'activité de la Dame Jeanne
F-60128 PLAILLY

Tel: +33 3 44 99 00 70
Fax: +33 3 44 99 00 30
E-mail: info@nexo.fr

nexo-sa.com



