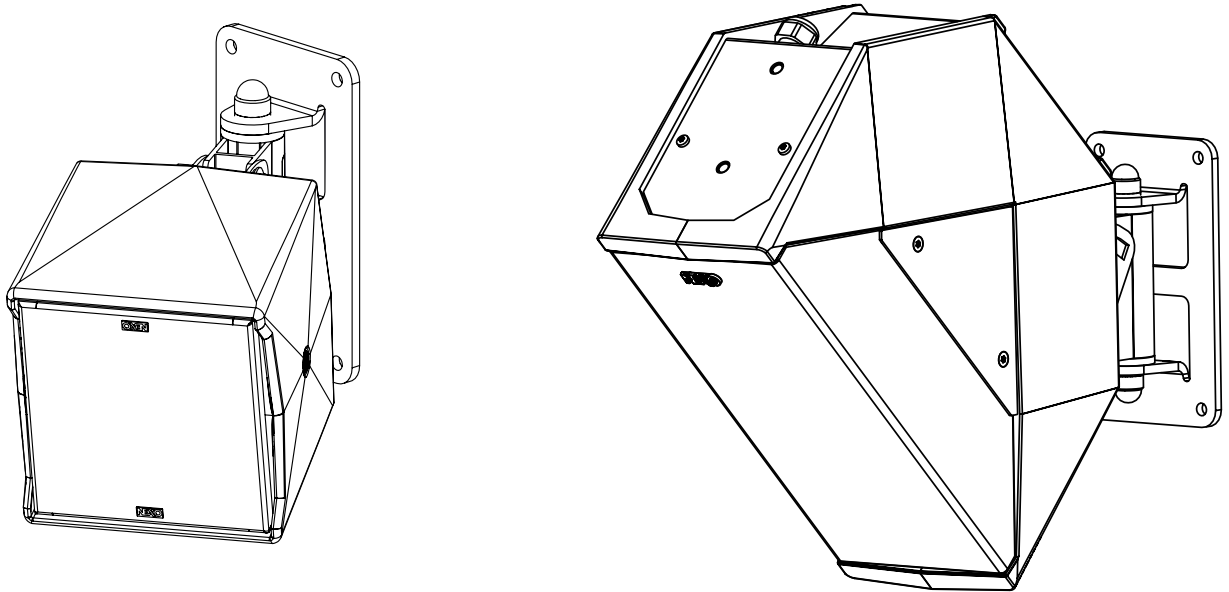


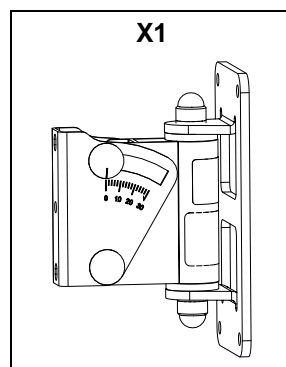
Speaker Wall Mount. 0°-30°

INDOOR USE: IDI-WM01 (black) / IDI-WM01-PW (white)

OUTDOOR USE: IDI-WM01-OU (black) / IDI-WM01-PW-OU (white)



Contents:



Weight: 0.5 kg / 1.1 lb



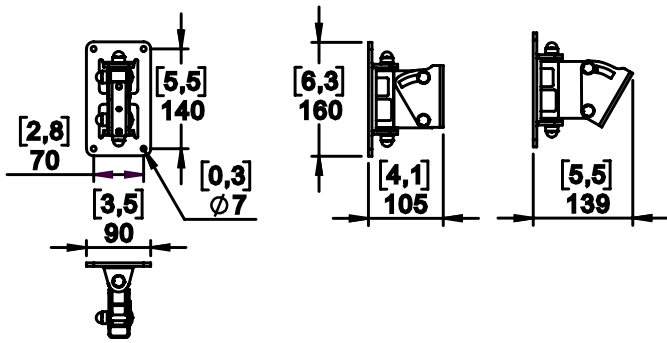
nexo-sa.com

ZA du Pre de la Dame Jeanne
60128 PLAILLY - France

- Read this document before using.
- Keep this document.
- Observe all warnings and cautions.



Dimensions:



Safety Notes:

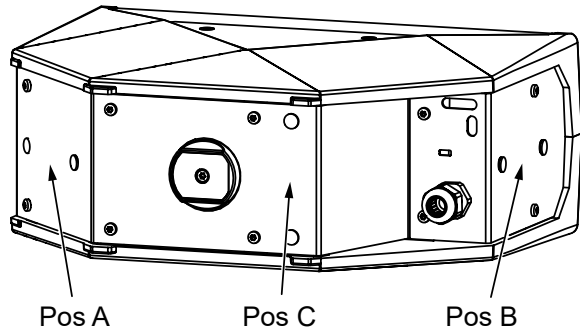
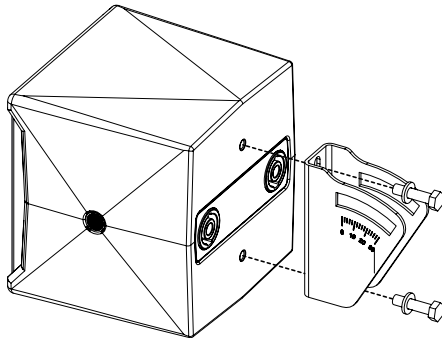
Max load capacity: 15kg / 33lb.

For use only by trained installers.

For use only at proper walls with adequate anchors.

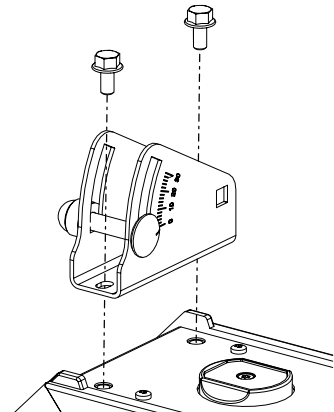
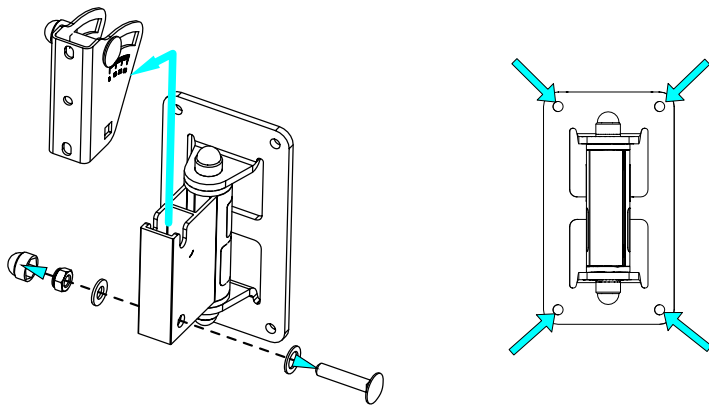
Inspect bolted assemblies periodically.

Assembly:



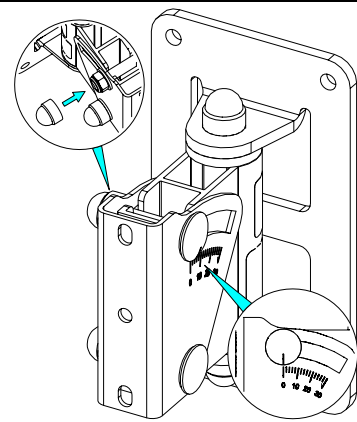
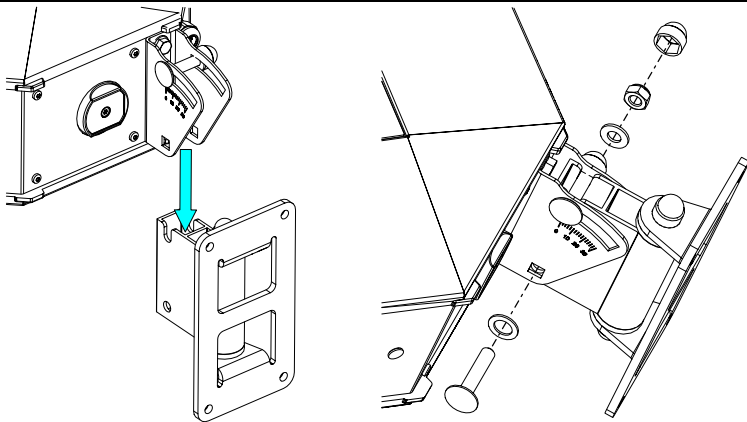
Separate speaker holder from wall plate.
Screw the bracket to the wall (fasteners are not supplied).

Screw speaker plate to Nexo Speaker (use only screws provided with Nexo Speaker – 10mm wrench).



Place the speaker holder with Nexo speaker into the wall bracket. Fix by tightening bolted assembly.

Adjust the angle with the mark.
Tight the bolt and put the escutcheon.



- NEXO cannot accept responsibility for accidents caused by any factor other than defects in this product itself.
- Please check the web site nexo-sa.com for the latest update.

NEXO

nexo-sa.com

ZA du Pre de la Dame Jeanne
60128 PLAILLY - France

- Read this document before using.
- Keep this document.
- Observe all warnings and cautions.

