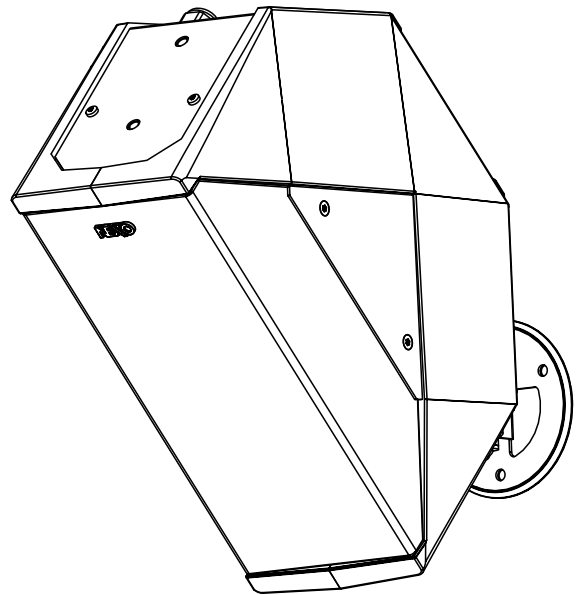
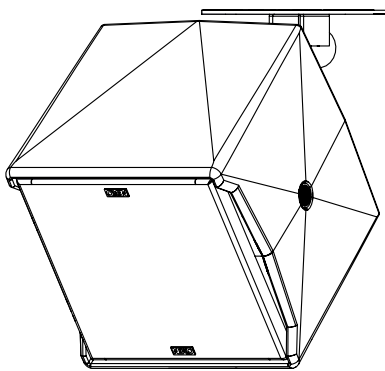
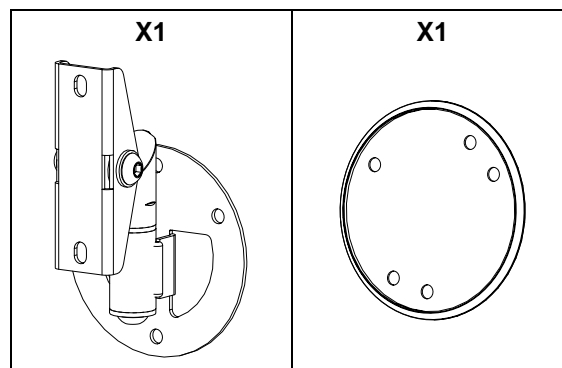


## Universal Speaker Wall Mount

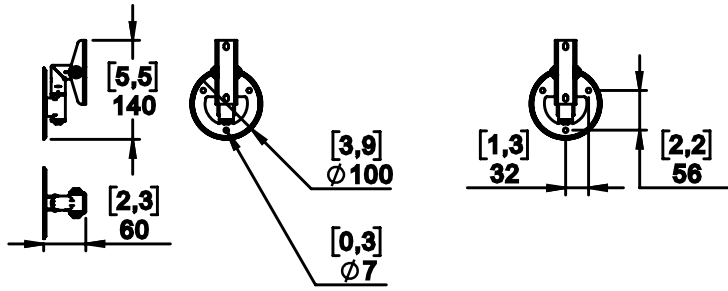


### Contents:



Weight: 0.5 kg / 1.1 lb

**Dimensions:**



**Safety Notes:**

**Max load capacity: 15kg / 33lb.**

**For use only by trained installers.**

**For use only at proper walls with adequate anchors.**

**Inspect bolted assemblies periodically.**

**For indoor use only.**

**Assembly:**

<p>Separate speaker holder from wall plate.</p>	<p>Screw the wall plate with the decorative plate to the wall. Use two or three screws (not supplied).</p>
<p>Screw speaker plate to Nexo Speaker (use screws provided with Nexo Speaker – 10mm wrench).</p>	<p>Place the speaker holder with Nexo Speaker into the wall bracket. Fix by tightening bolted assembly.</p>
<p>Use a 5mm ALLEN wrench for holding the tilt positions.</p>	



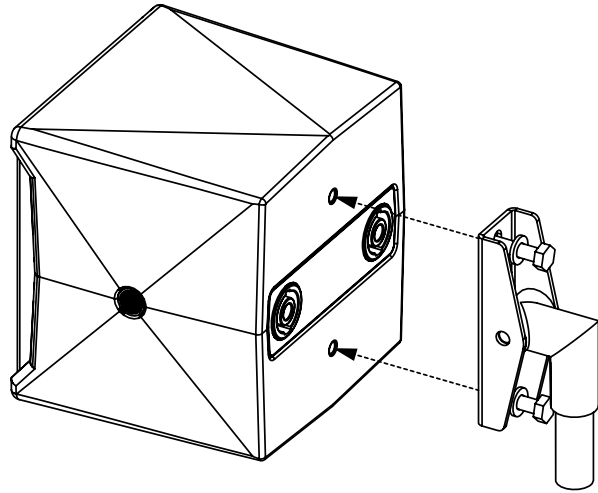
nexo-sa.com  
 ZA du Pre de la Dame Jeanne  
 60128 PLAAILLY - France

- Read this document before using.
- Keep this document.
- Observe all warnings and cautions.



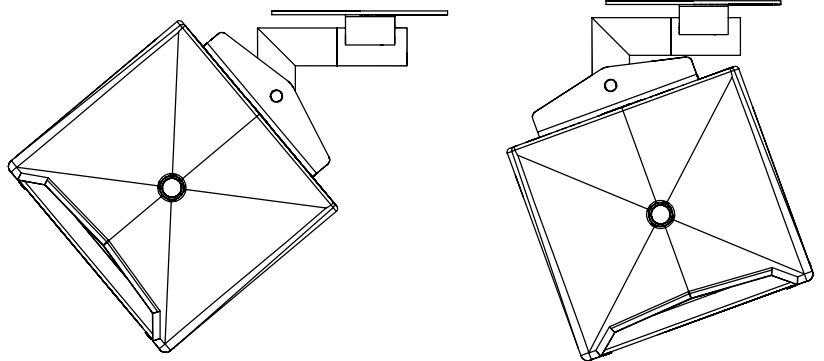
**Use with ID14**

Screw speaker plate to Nexo Speaker (use screws provided with Nexo Speaker – 10mm wrench).



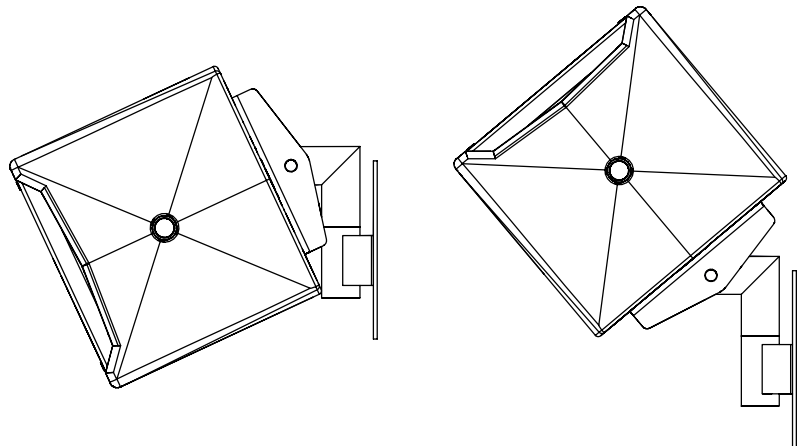
**WB02 on ceiling**

Tilt: -40° to -110°



**WB02 on wall**

Tilt: -20° to +50°



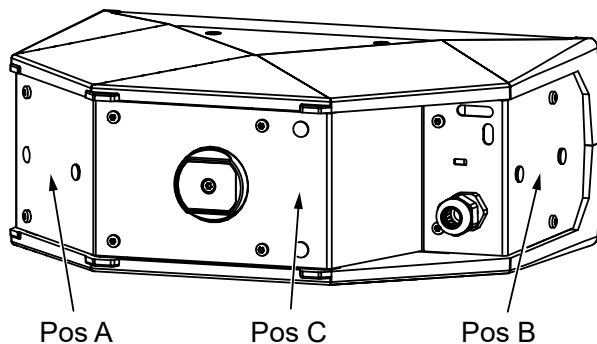
**NEXO**

nexo-sa.com  
ZA du Pre de la Dame Jeanne  
60128 PLAILLY - France

- Read this document before using.
- Keep this document.
- Observe all warnings and cautions.



Use with ID24 :



<p><b>Pos A</b></p> <p>Tilt: -80° to 0°</p>		
<p><b>Pos B</b></p> <p>Tilt: -80° to +30°</p>		
<p><b>Pos C</b></p> <p>Tilt:</p> <ul style="list-style-type: none"><li>• -20° to +60°</li><li>• -60° to +20°</li></ul>		

- NEXO cannot accept responsibility for accidents caused by any factor other than defects in this product itself.
- Please check the web site [nexo-sa.com](http://nexo-sa.com) for the latest update.