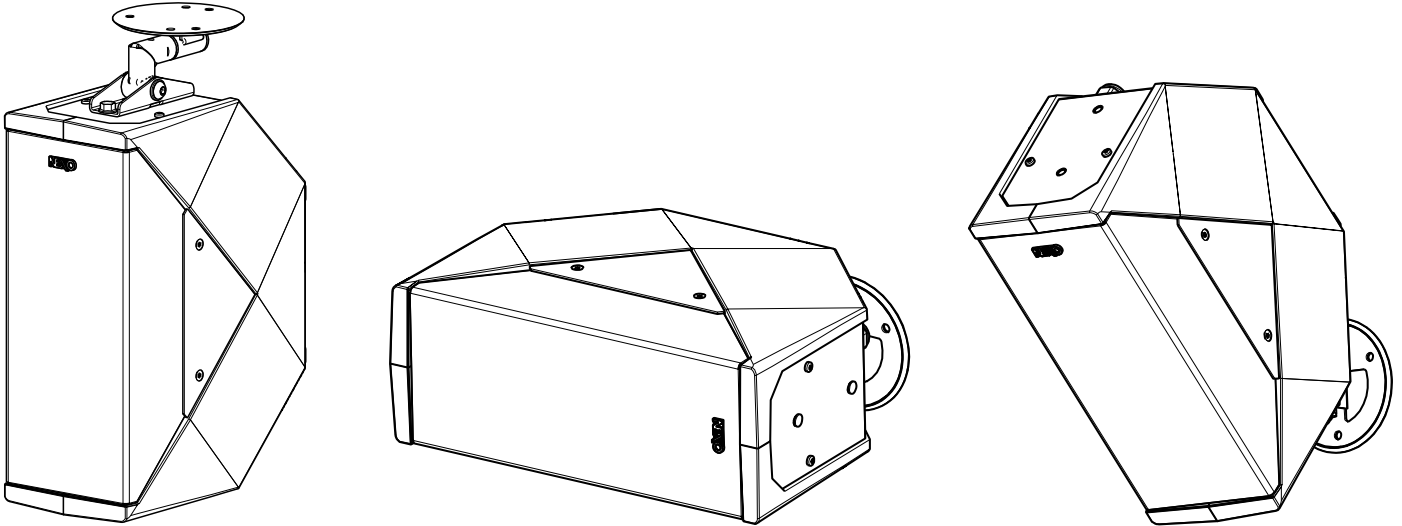
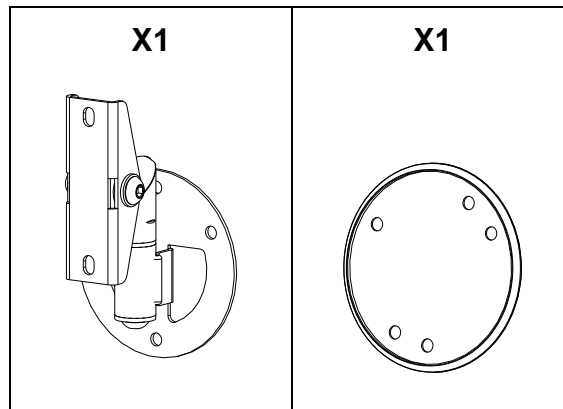


## Universal Speaker Wall Mount

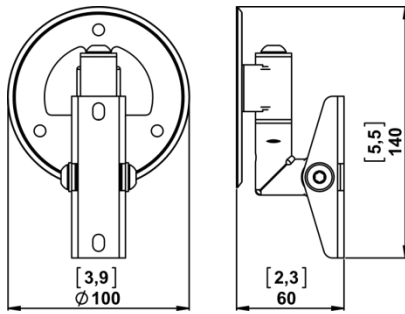


### Contents:



**Weight: 0.5 kg / 1.1 lb**

## Dimensions:



## Safety Notes:

- Max load capacity: 15kg / 33lb.
- For use only by trained installers.
- For use only at proper walls with adequate anchors.
- Inspect bolted assemblies periodically.
- For indoor use only.

## Assembly:

<p>Separate speaker holder from wall plate.</p>	<p>Screw the wall plate with the decorative plate to the wall. Use two or three screws (not supplied).</p>
<p>Screw speaker plate to Nexo Speaker (use screws provided with Nexo Speaker – 10mm wrench).</p>	<p>Place the speaker holder with Nexo Speaker into the wall bracket. Fix by tightening bolted assembly.</p>
<p>Use a 5mm ALLEN wrench for holding the tilt positions.</p>	

# NEXO

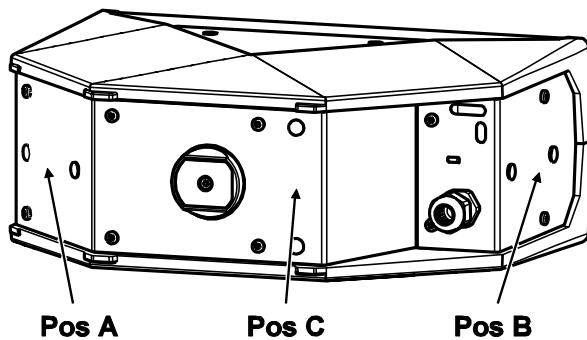
www.nexo-sa.com

ZA du pre de la Dame Jeanne

60128 PLAILLY-France

- Read this document before using.
- Keep this document.
- Observe all warnings and cautions.

Use :



<p><b><u>Pos A</u></b></p> <p>Tilt: -80° to 0°</p>	
<p><b><u>Pos B</u></b></p> <p>Tilt: -80° to +30°</p>	
<p><b><u>Pos C</u></b></p> <p>Tilt:</p> <ul style="list-style-type: none"><li>• -20° to +60°</li><li>• -60° to +20°</li></ul>	

- **NEXO** cannot accept responsibility for accidents caused by any factor other than defects in this product itself.
- Please check the web site [www.nexo-sa.com](http://www.nexo-sa.com) for the latest update.

**NEXO**

www.nexo-sa.com  
ZA du pre de la Dame Jeanne  
60128 PLAILLY-France

- Read this document before using.
- Keep this document.
- Observe all warnings and cautions.