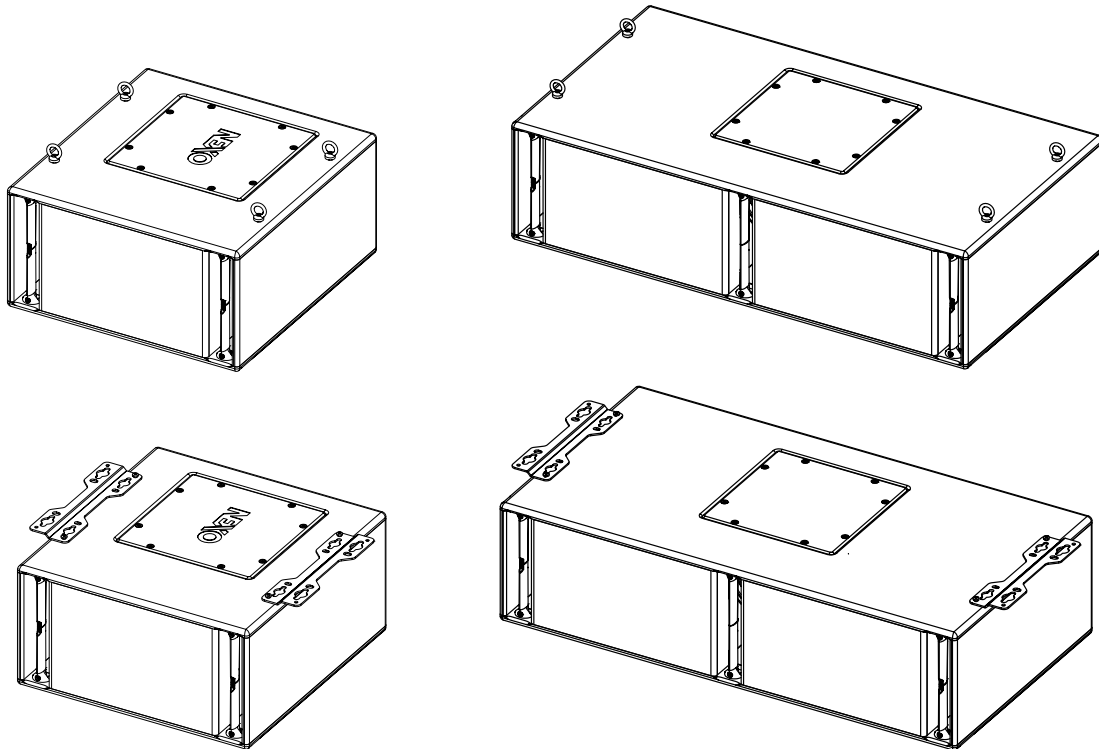
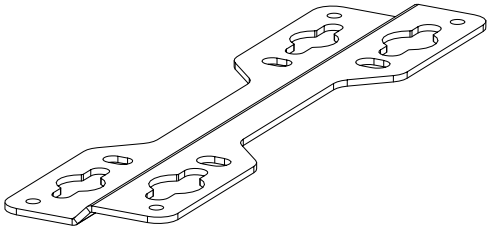

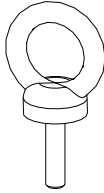


Wall Mount Bracket

ID110i – IDS110t – IDS210i – IDS210t



Contents:

<p>X2</p> 	<p>X4 M6x25 (thread lock coated)</p> 	<p>X4 M6x25 (thread lock coated)</p> 
--	--	--

Weight: 1.2 kg / 2.65 lb



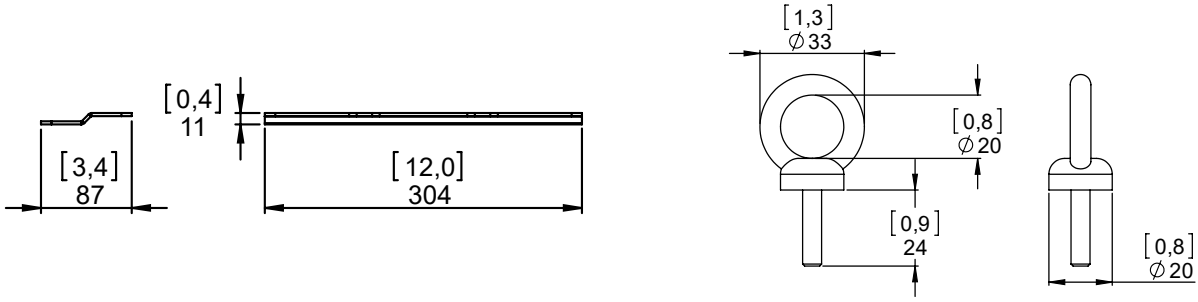
nexo-sa.com

ZA du Pre de la Dame Jeanne
60128 PLAILLY - France

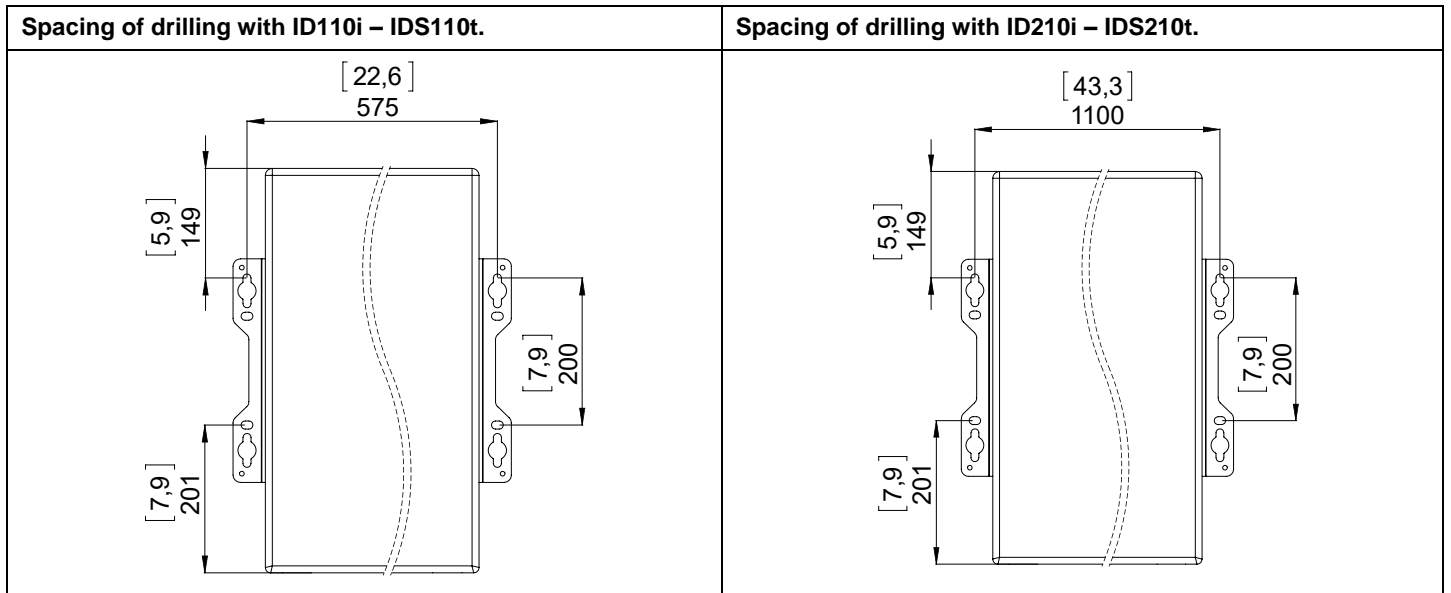
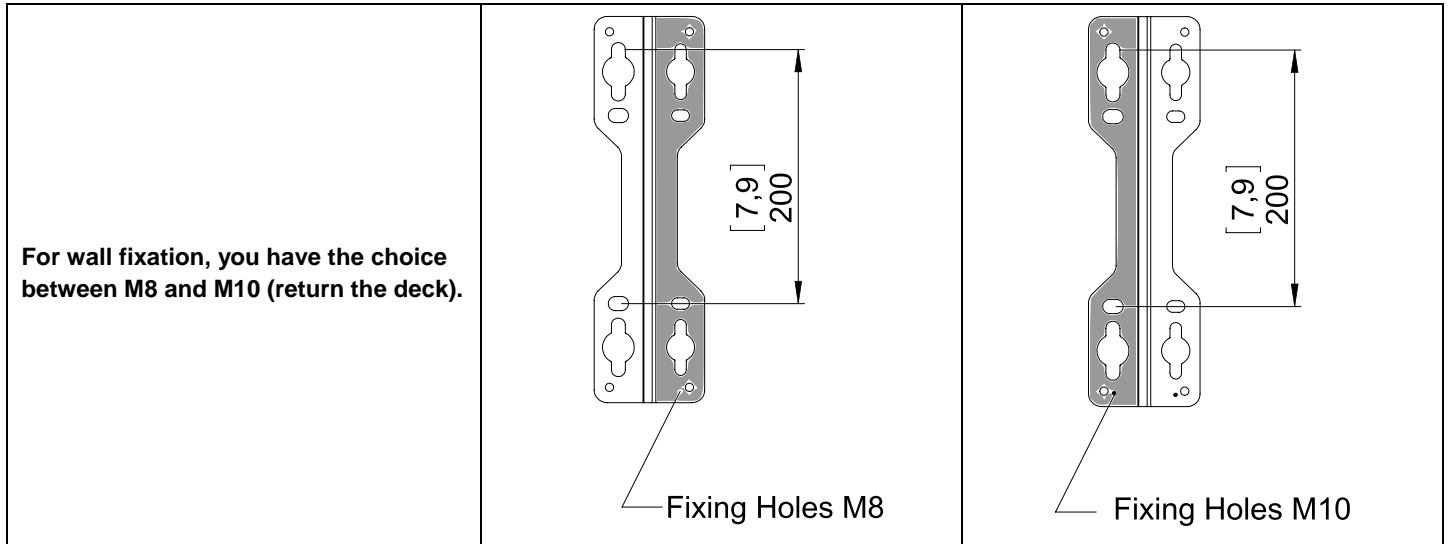
- Read this document before using.
- Keep this document.
- Observe all warnings and cautions.



Dimensions:



Installation:



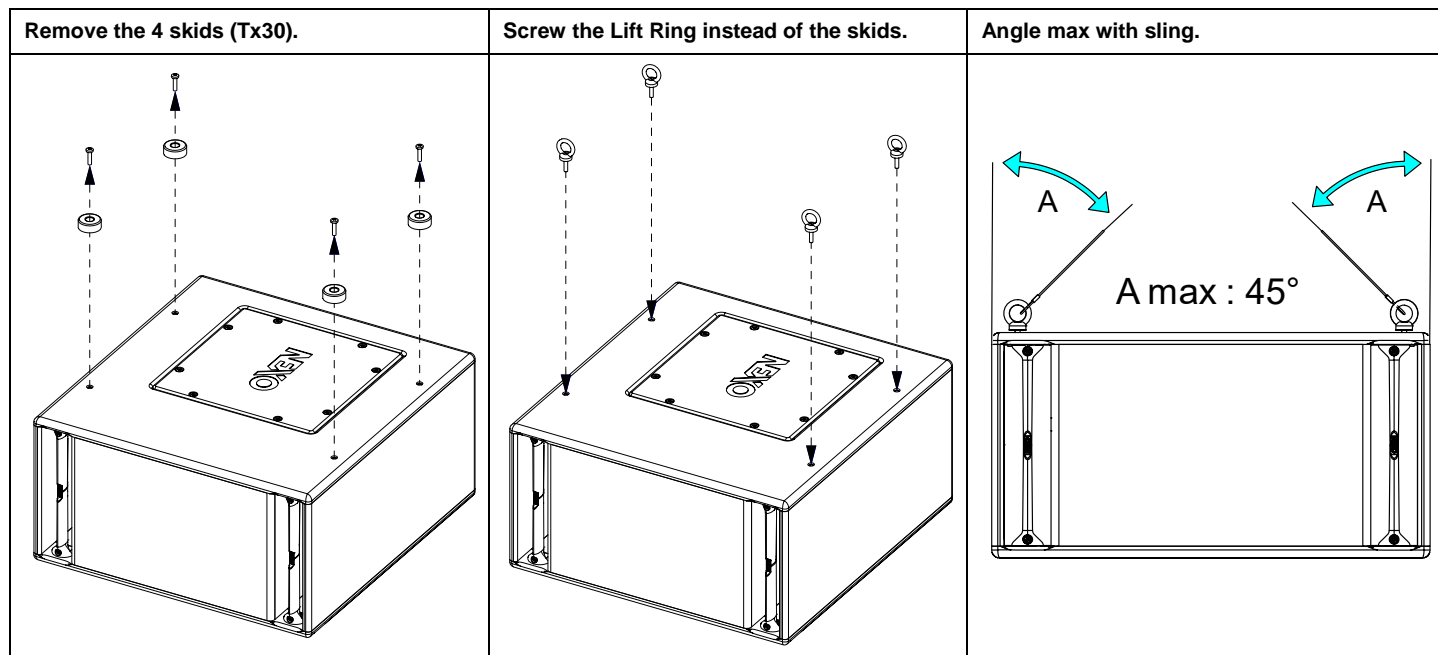
nexo-sa.com
 ZA du Pre de la Dame Jeanne
 60128 PLAILLY - France

- Read this document before using.
- Keep this document.
- Observe all warnings and cautions.

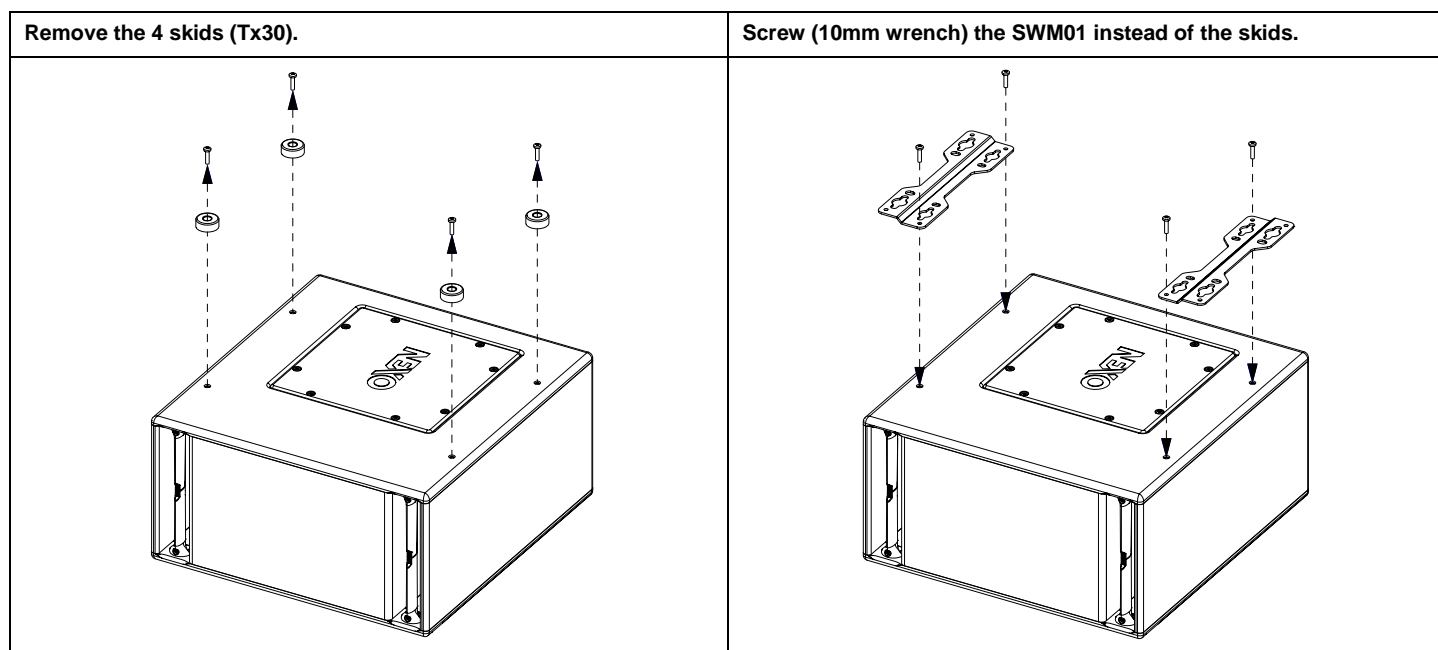


Use:

- **With Lift Ring.**



- **With Wall Plate.**



Use only fasteners and screws provided by NEXO.

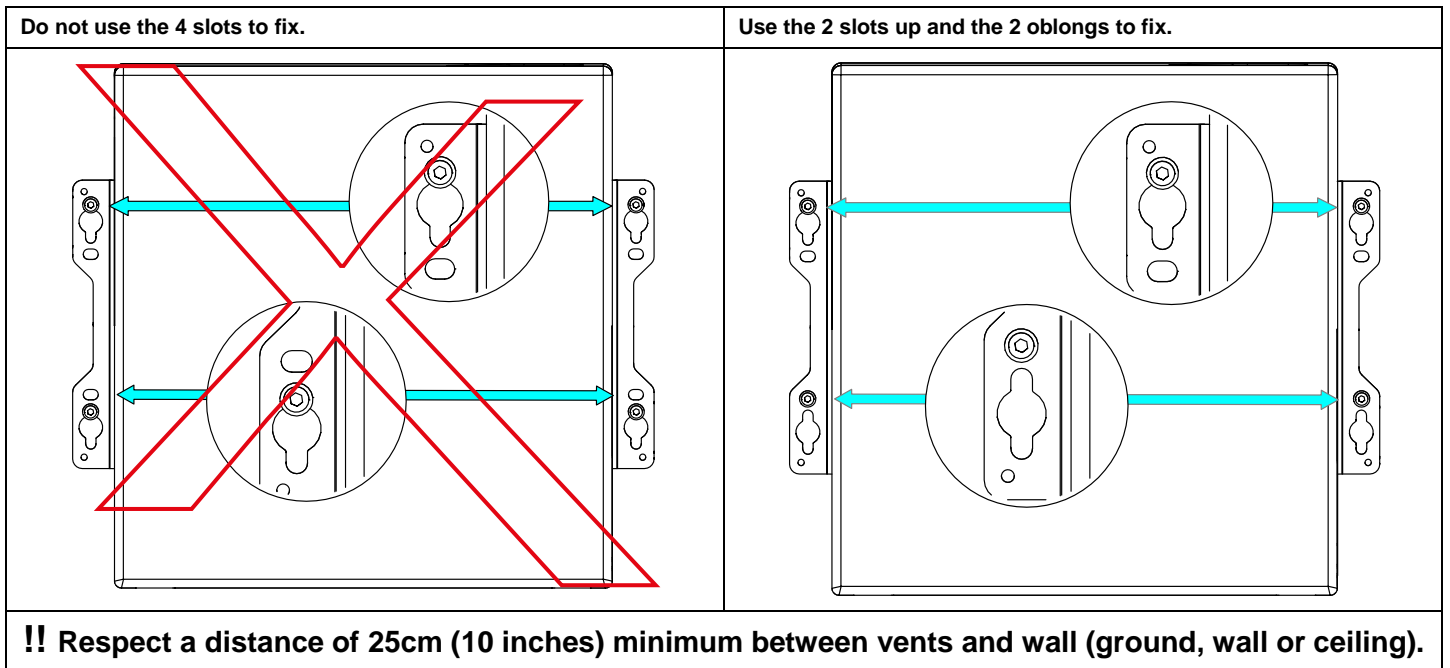
NEXO

nexo-sa.com

ZA du Pre de la Dame Jeanne
60128 PLAILLY - France

- Read this document before using.
- Keep this document.
- Observe all warnings and cautions.





- **NEXO** cannot accept responsibility for accidents caused by any factor other than defects in this product itself.
- Please check the web site www.nexo-sa.com for the latest update.

NEXO

nexo-sa.com

ZA du Pre de la Dame Jeanne
60128 PLAILLY - France

- Read this document before using.
- Keep this document.
- Observe all warnings and cautions.

