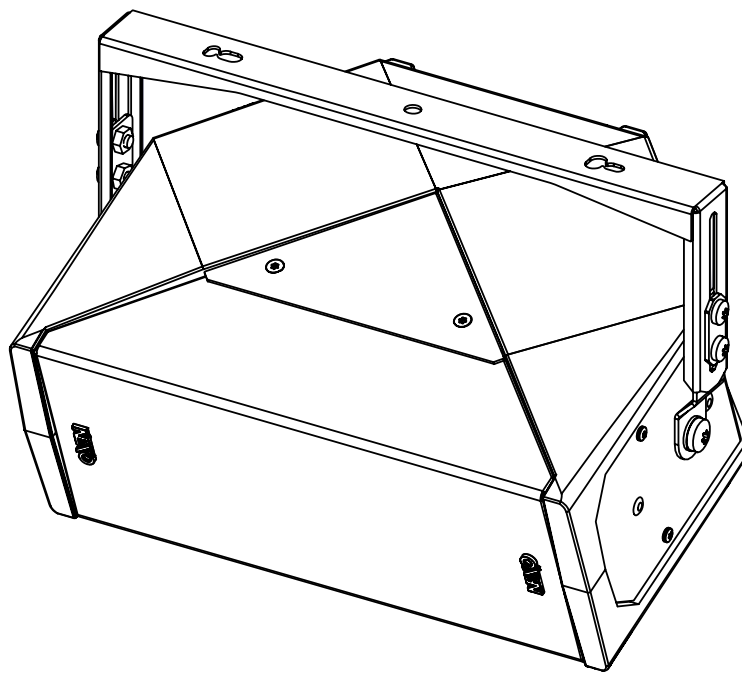


Fixed Bracket ID24

(only used on ID24 with the last 6 digits of the serial number \geq 200 000)

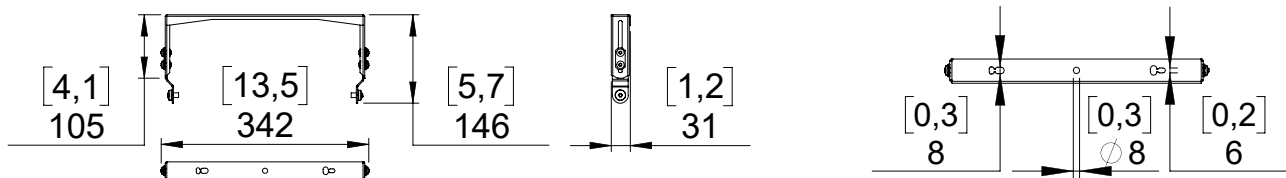


Contents:

<p>X1</p>	<p>X2 (M8x12)</p>	<p>X2 (M8)</p>
-----------	-------------------	----------------

Weight: 0.36 kg / 0.8 lb

Dimensions:



Implementation:

<p>Place HBRK24 on ID24 with screws M8x12 (Tx40) and washer M8. (use only fasteners provided).</p>	<p>Adjust the angle, tight properly.</p>

Use:

<p>Loosen the screws (Tx30) on the sides, adjust ID24, tight properly.</p>		

- NEXO cannot accept responsibility for accidents caused by any factor other than defects in this product itself.
- Please check the web site nexo-sa.com for the latest update.



nexo-sa.com
 ZA du Pre de la Dame Jeanne
 60128 PLAILLY - France

- Read this document before using.
- Keep this document.
- Observe all warnings and cautions.

