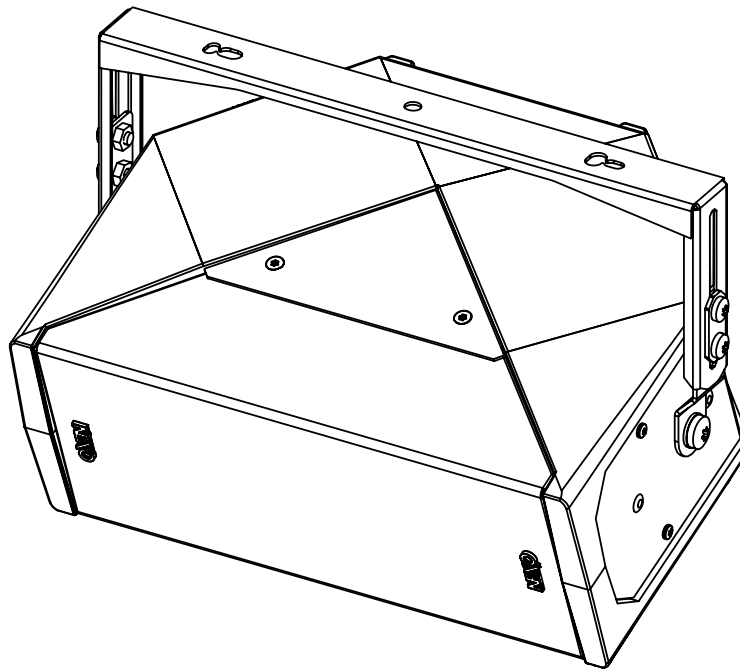
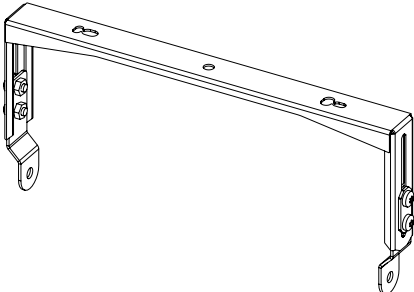
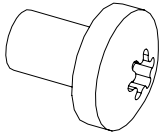



Fixed Bracket ID24

(only used on ID24 from serial number 10000)

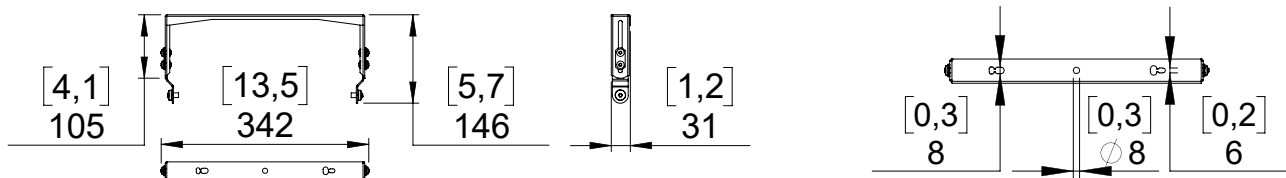


Contents:

<p>X1</p> 	<p>X2 (M6x12)</p> 	<p>X2 (M6)</p> 
---	---	--

Weight: 0.36 kg / 0.8 lb

Dimensions:



Implementation:

<p>Place HBRK24 on ID24 with screws M6x12 (Tx40) and washer M6. (use only fasteners provided).</p>	<p>Adjust the angle, tight properly.</p>

Use:

<p>Loosen the screws (Tx30) on the sides, adjust ID24, tight properly.</p>		

- NEXO cannot accept responsibility for accidents caused by any factor other than defects in this product itself.
- Please check the web site nexo-sa.com for the latest update.