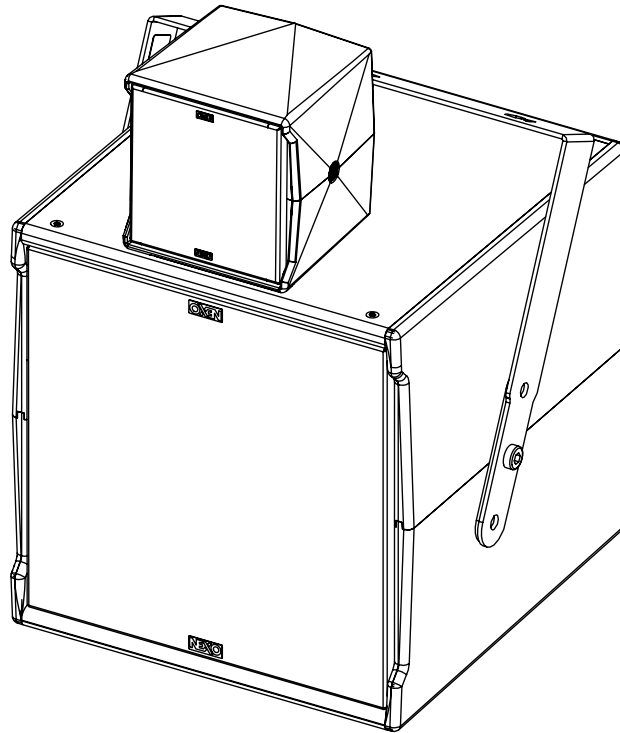
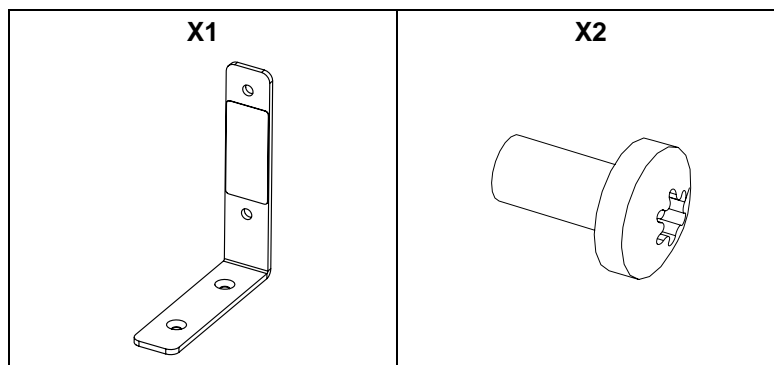


Adapter ID14 to IDS108



Contents:



Weight: 0.15 kg / 0.33 lb

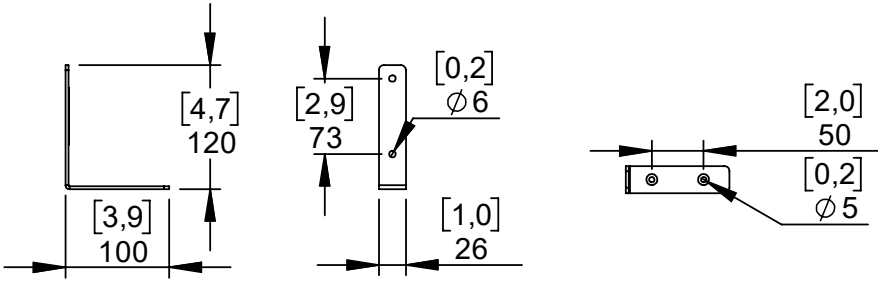


nexo-sa.com
ZA du Pre de la Dame Jeanne
60128 PLAILLY - France

- Read this document before using.
- Keep this document.
- Observe all warnings and cautions.



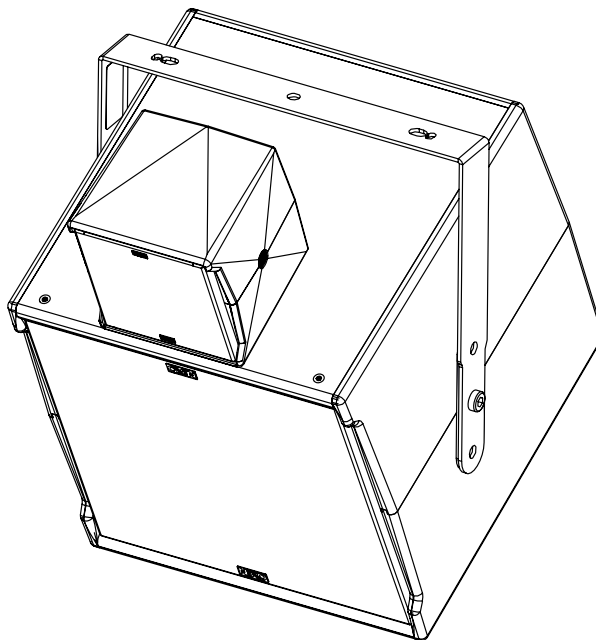
Dimensions:



Assembly:

Remove 2 screws.	Place the part on IDS108 and use the 2 screws.	Place ID14 on the adapter, use the provided screws.

Use with IDT-HBRK108 for installation



- NEXO cannot accept responsibility for accidents caused by any factor other than defects in this product itself.
- Please check the web site nexo-sa.com for the latest update.

NEXO

nexo-sa.com
 ZA du Pre de la Dame Jeanne
 60128 PLAILLY - France

- Read this document before using.
- Keep this document.
- Observe all warnings and cautions.

