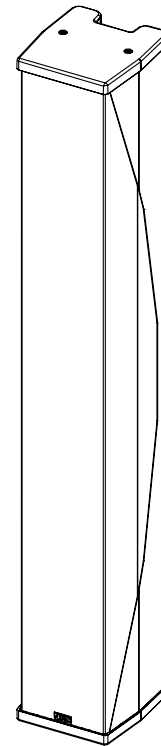
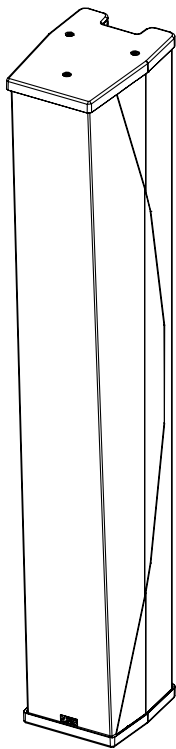


ID84 / ID84L



User manual



TABLE OF CONTENTS

TABLE OF CONTENTS _____ 2

WARNINGS _____ 3

EQUIPMENT _____ 4

DESCRIPTION _____ 6

PRESET _____ 7

CROSSOVER FREQUENCY _____ 10

ACCESSORIES _____ 11

ARRAY EQ _____ 13

MAINTENANCE _____ 14

TECHNICAL SPECIFICATIONS _____ 17

USER NOTES _____ 18

EU Conformity declaration	
	We, NEXO SA ZA DU PRE DE LA DAME JEANNE 60128 PLAILLY – France
Declare under our sole responsibility that the product	Loudspeaker
Type	ID84 / ID84L
Serial number	On the product
Is in conformity with the provisions of the following directive including all applicable amendments:	2014/35/UE (Low Voltage Directive)
Applied rules and standards:	EN 13155, EN 62368
Plailly, 01 June, 2021	Joseph CARCOPINO, R&D Director
	

WARNINGS

PRECAUTIONS

Do not open the speaker, do not try to disassemble it neither to modify it in any way. The system doesn't include any user-repairable part.

If the system seems to be malfunctioning or damaged, stop using it at once and have it repaired by a NEXO qualified technician.

Do not expose the system directly to the sun or to the rain, do not immerse it into fluids, do not place objects filled with liquid on the system. If a liquid gets into the system, please have it inspected by a NEXO qualified technician.

The connection should be performed by qualified technician, by ensuring that power is off.

Operating temperature with temperate climate: BR0°C to +40°C (+32°F to +104); -20°C à +60°C (-4°F to +140°F) for storage.

SAFETY INFORMATIONS

Read this manual before using the speaker.

Keep this manual available for further reference.

Observe all warnings and cautions.

Please check the NEXO Web site nexo-sa.com to get the most up-to-date version of this manual.

Ensure you are aware of the safety rules applying to rigging, stacking or installing on tripod or speaker stand. Failure to observe these rules may expose persons to potential wounds or even death.

Only use the system with accessories specified by NEXO.

Please always consult a NEXO-accredited technician if the installation needs architectural works and observe following precautions:

Mounting Precautions:

- Please select screws and mounting location supporting 4 times the system weight.
- Do not expose the system to excessive dust, vibrations, to extreme cold or hot temperatures, to reduce the risk of damaging components.
- Do not place the system in an unstable position: it could fall accidentally.
- If the system is used on a tripod, please ensure the tripod's specifications are adapted and that its height does not exceed 1.40m/55". Do not move the tripod with the system in position.

Connection and Powering Precautions:

- Unplug connected cables before moving the system.
- Power off the system before connecting the system.
- When switching on the installation, the amplifier must be powered last; when switching the installation off, shut off the amplifier first.
- If you work by cold temperatures, progressively raise the level to nominal value during the first minutes of use, to allow the system components to stabilize.

Please check regularly the system condition.

HIGH SOUND PRESSURE LEVELS

Exposure to very high sound pressure levels may cause permanent hearing losses. Degrees of hearing losses may be different from one person to another, but almost everybody will be affected if exposed to high sound pressure levels during a long period of time. The OSHA (Occupational Safety and Health Administration) American Agency specified the following maximal exposures:

Number of Hours	Sound Pressure Level (dBA), Slow Response
8	90
6	92
4	95
3	97
2	100
1 ½	102
1	105
½	110
¼ or less	115

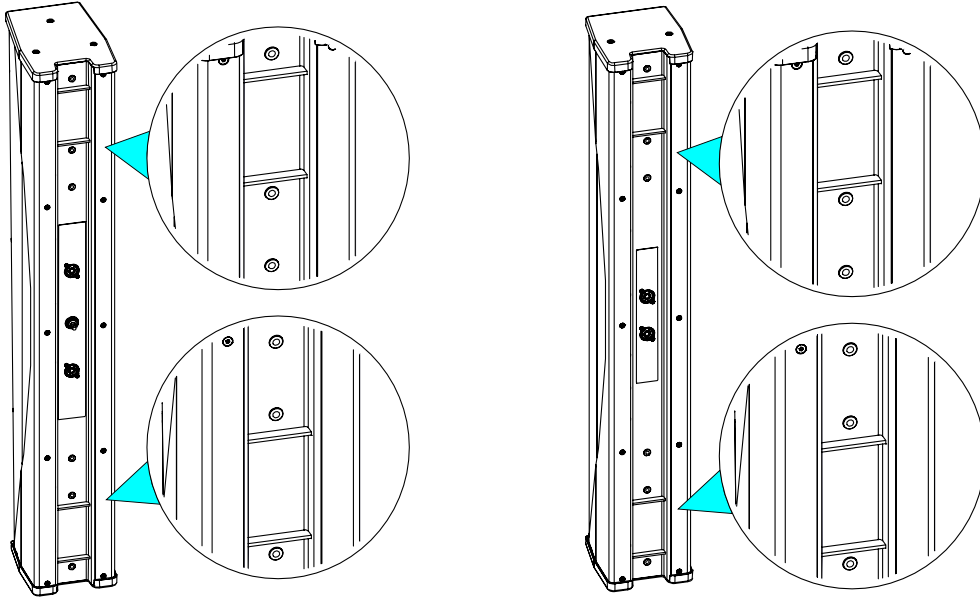
WASTE OF ELECTRIC OR ELECTRONIC EQUIPMENT



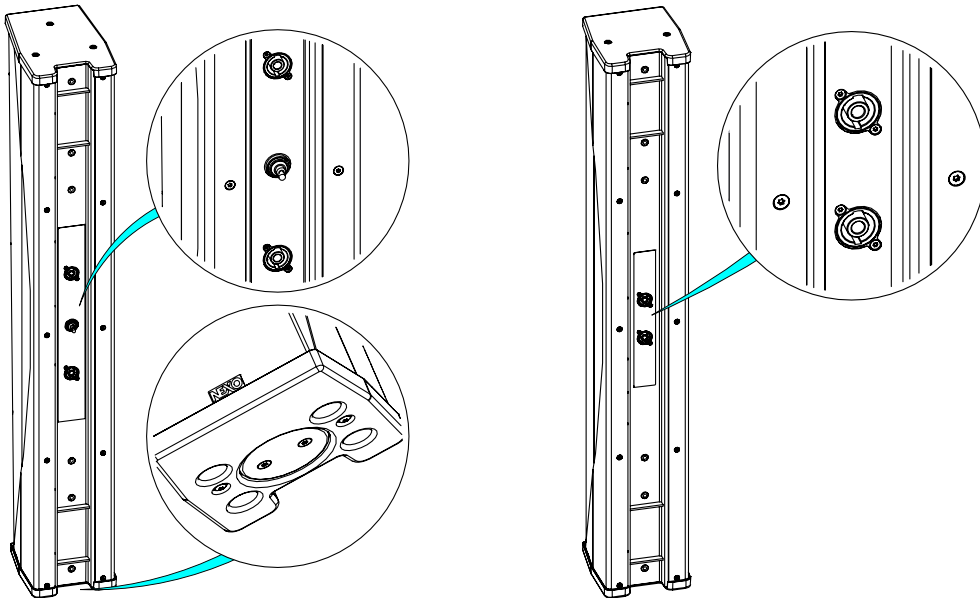
This symbol on the product or its packaging indicates that this product must not be treated as household waste. Instead, it is your responsibility to hand it over to a designated collection point for the recycling of waste electrical and electronic equipment. By ensuring your waste equipment is recycled, you will help prevent potential negative consequences for the environment and human health, which could appear if this product was not recycled. Recycling helps spare natural resources. For more information about the recycling of this product, please contact your local city office, your household waste disposal service or your reseller.

EQUIPMENT

Locations for hanging on the back.



2 locations for connecting, 1 on the back and a quick connect in the base cover (ID84 only).



ID84 versions T & TIS: a directivity switch, located between the NL4 connectors, allows to virtually curve the drivers to achieve 2 vertical directivity patterns:

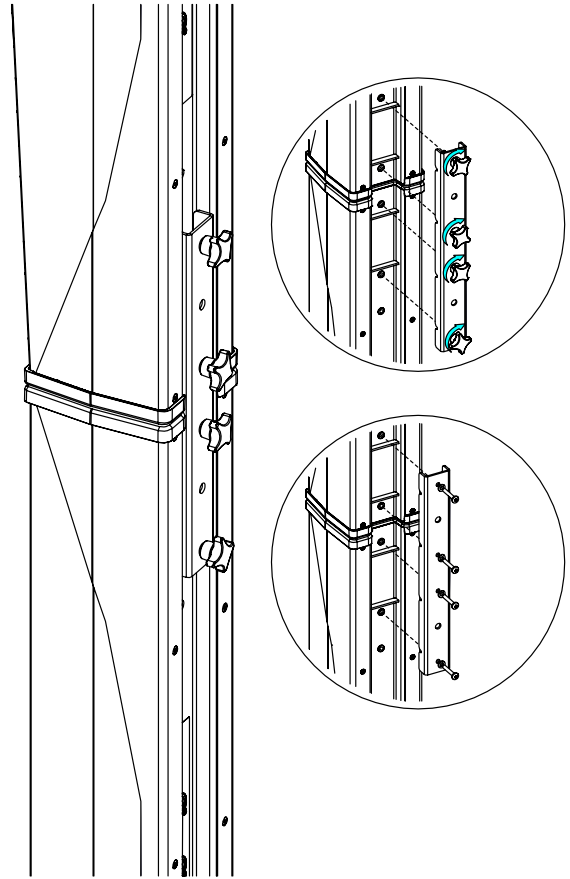
- Narrow ($0^\circ / -10^\circ$)
- Broad ($0^\circ / -25^\circ$)

Assembly on ID84 / ID84L

Use IDU-COUPL to assemble 2x ID84.
Use only fasteners provided (thread lock coated screws for permanent installation).

IMPORTANT

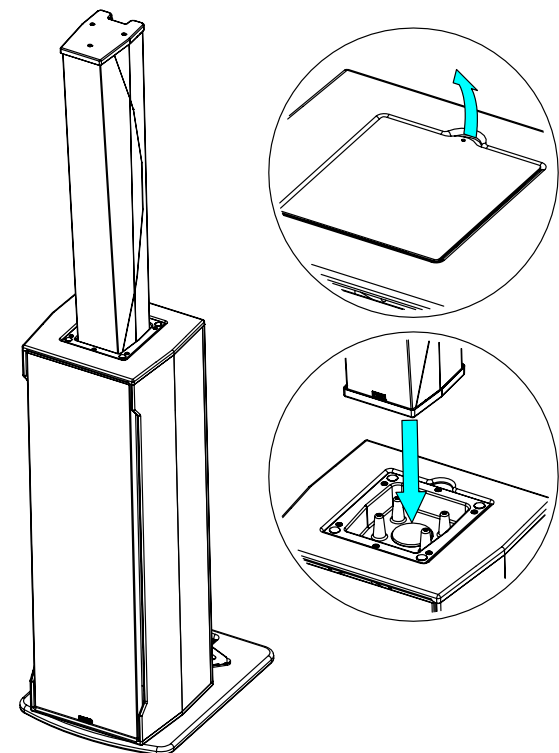
Use VNT-BP600 and IDT-BPADAPT for stacking.
Speaker must always be installed on a horizontal surface.
Stand height and footprint must be defined to prevent assembly from collapsing.
Ensure that audience is not allowed within a safety area which radius is equal or higher than assembly height.
Test steadiness of the assembly by pushing in all directions.

**Assembly on IDS312**

Open the trap above IDS312.
Place ID84 on IDS312, magnet keeps it in place

IMPORTANT

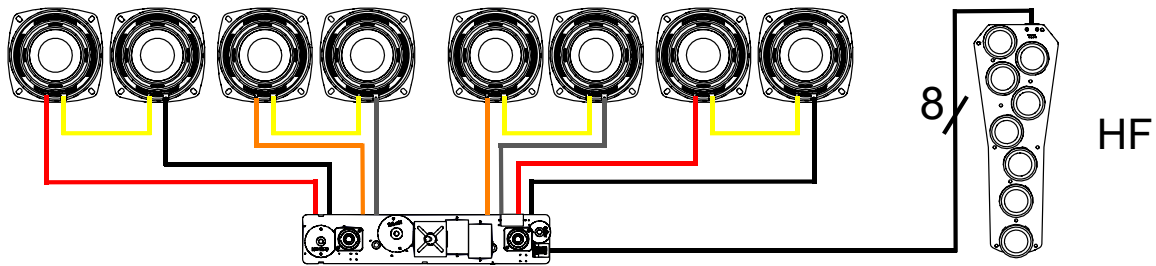
Speaker must always be installed on a horizontal surface.
Stand height and footprint must be defined to prevent assembly from collapsing.
Ensure that audience is not allowed within a safety area which radius is equal or higher than assembly height.
Test steadiness of the assembly by pushing in all directions.



DESCRIPTION

DESCRIPTION

- ID84 is a column speaker, 2 ways passive
 - ID84L is a column extension speaker, increase directivity control in LF
 - Versions
 - ID84 / ID84L: for Touring Application; black, white
 - ID84-TIS / ID84L-TIS: for Touring Application, with Installation grille; black, white
 - ID84-I / ID84L-I: for Permanent Installation; black, white
 - ID84 Dispersion:
 - Horizontal: 100°
 - Vertical: +0°/-10° or +0°/-25°. Switch on the back
 - ID84 can be used alone or with ID84L and/or IDS312 subwoofer
 - ID84 / ID84-TIS / ID84L and ID84L-TIS are equipped with two NL4 connectors with parallel-wired pins. ID84 / ID84-TIS have a quick connect in the base cover to be connected with IDS312 / IDS312-TIS.
- ID84 / ID84-TIS use **2+/2-**. The 1+/1- pins are used by the sub.
- ID84L and ID84L-TIS use **1+/1-**.
- ID84-I and ID84L-I are equipped with a cable gland M16 (clamping range, Ø 5 to 12 mm), supplied with a fixed cable 2x 1.5 mm² section, length 2m, outside diameter 8mm ± 1 mm



- Amplification
 - ID84/ID84L speakers must be used with a NEXO processor to handle EQ, phase alignment, crossover and excursion/thermal protection for the system loudspeaker.
 - The following table shows the number of OD84, ID84L speakers and IDS312 subwoofers usable with each solution.

	DTD + DTDAMP4X0.7	DTD + DTDAMP4X1.3	NXAMP4X1mk2	NXAMP4X2mk2	NXAMP4X4mk2
ID84	1 per channel	1 per channel	Up to 2 per channel	Up to 2 per channel	Up to 2 per channel
ID84L	1 per channel	1 per channel	Up to 2 per channel	Up to 2 per channel	Up to 2 per channel
IDS312			1 per channel	1 per channel	1 per channel

PRESET

Please consult nexo-sa.com for NEXO TD Controllers firmware information.

For optimal acoustic performance, follow these rules:

- Always use at least 1x ID84.
- Never assemble more than 4 cabinets.
- Never use more than 2x ID84 or 2x ID84L in a column assembly.
- 2xID84 can only be coupled upside-down for HF section continuity.
- Never link an ID84L to the top of an ID84.

For the ID84, the following setups are available:

→ NARROW: directivity $0^\circ / -10^\circ$.

→ BROAD: directivity $0^\circ / -25^\circ$.

Preset

- ID84 BROAD, with high pass at 90 or 120 Hz.
- ID84 NARROW, with high pass at 90 or 120 Hz.

For the ID84L, the following setups are available:

→ NARROW: use when next to an ID84 in NARROW mode.

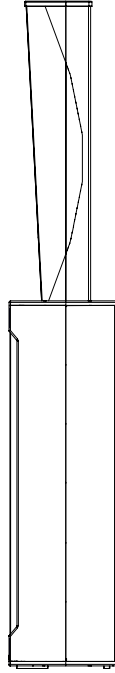
→ BROAD: use when next to an ID84 in BROAD mode or when not directly attached to an ID84.

Preset

- ID84L BROAD, with high pass at 90 or 120 Hz.
- ID84L NARROW, with high pass at 90 or 120 Hz.

1x ID84

ID84 + IDS312



2xID84 / ID84 + ID84L

ID84

Switch and Set up:
NARROW or BROAD



ID84

Switch and Set up:
NARROW or BROAD



ID84

ArrayEQ HF: +3dB
Switch and Set up:
NARROW or BROAD

ID84L

Set up identical to ID84.

2xID84 + ID84L / 1x ID84 + 2xID84L

ID84

ArrayEQ HF: +1.5dB
Switch and Set up:
NARROW or BROAD

ID84

ArrayEQ HF: +1.5dB
Switch and Set up :
NARROW or BROAD

ID84L

Set up identical to the ID84
directly above.



ID84

ArrayEQ HF: +4.5dB
Switch and Set up:
NARROW

ID84L

Setup NARROW

ID84L

Setup BROAD

CROSSOVER FREQUENCY

2xID84 + 2x ID84L

ID84

ArrayEQ HF: +3dB

Switch and Set up:

NARROW or BROAD

ID84

ArrayEQ HF: +3dB

Switch and Set up:

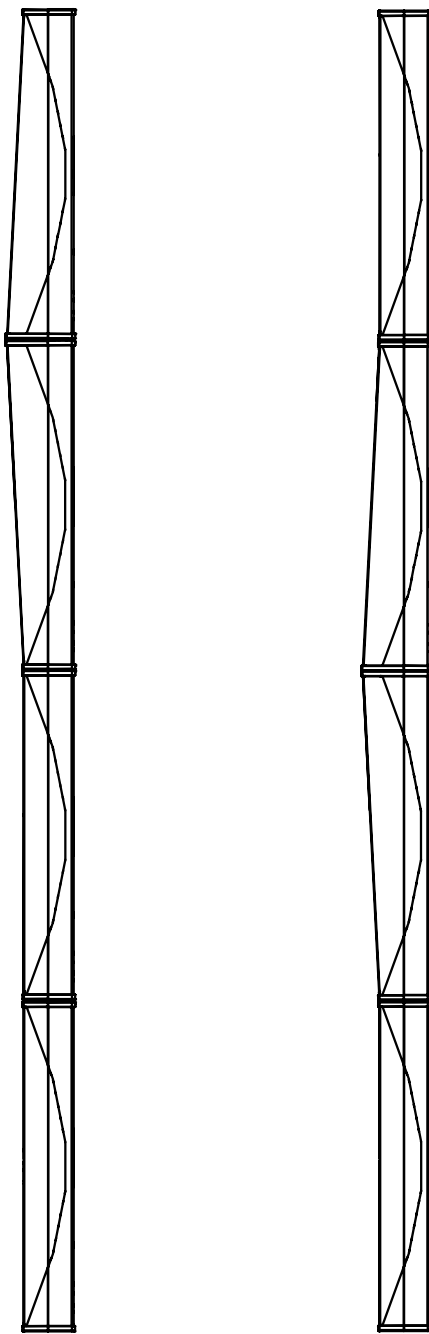
NARROW

ID84L

Setup NARROW

ID84L

Setup BROAD



ID84L

Set up identical to the ID84 just below it.

ID84

ArrayEQ HF: +3dB

Switch and Set up:

NARROW or BROAD

ID84

ArrayEQ HF: +3dB

Switch and Set up:

NARROW or BROAD

ID84L

Set up identical to the ID84 directly above.

CROSSOVER FREQUENCY

- 90 Hz: Full range application.
- 120 Hz: Use with a NEXO subwoofer, e.g. IDS312.

ACCESSORIES

WARNINGS

All ID84 / ID84L accessories are specifically rated in agreement with structural computations.

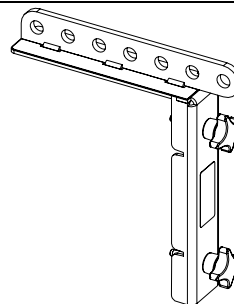
Never use other accessories – including push-pins – when assembling ID84 / ID84L cabinets than the ones provided by NEXO: NEXO will decline responsibility over the entire ID84 accessory range if any component is purchased from different supplier.

PROHIBITED: ID84/ID84L below ID84/ID84L or ID84/ID84L with IDS312 without dedicated accessory

IDU-BUMP

Lifting bracket for ID84 / ID84L, can be used with VNT-LIFTADAPT or VNI-WMADAPT and VNI-WM200.

Up to 2x ID84 + 2x ID84L can be lifted.

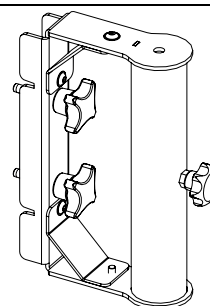


IDT-PLADAPT

Pole stand accessory for ID84 to be use with 35mm pole.

Can be fixed to upper part or lower part of the ID84.

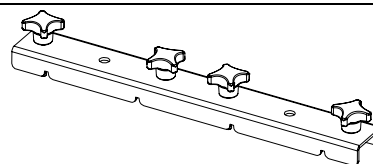
For 1x ID84.



IDU-COUPPL

Coupling bracket for ID84

Up to 2x ID84 + 2x ID84L can be coupled together

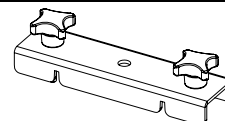


IDU-TCBRK84

Truss-clamp bracket for ID84, to attach one or multiple ID84 to a truss, in horizontal or vertical arrangement.

1x TCBRK84 for a maximum of 2x ID84

2x TCBRK84 and additional hanging on IDU-COUPPL for a maximum of 2x ID84L + 2x ID84

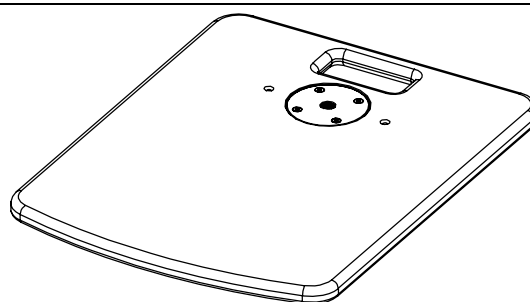


VNT-BP600

Base plate for ID84/ID84L/IDS312, footprint M20 for extended bar.

IDT-BPADAPT must be used to secure ID84/ID84L/IDS312 to the base plate

- 1x ID84L + 1x ID84
- 1x IDS312 + 1x ID84

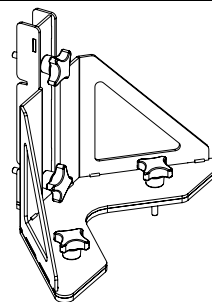


ACCESSORIES

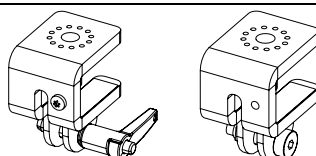
IDT-BPADAPT

Bracket for ID84/ID84L/IDS312, use to secure the assembly with VNT-BP600

- 1x ID84L + 1x ID84 (with IDU-COUPPL).
- 2x ID84 (with IDU-COUPPL).
- 1x IDS312 + 1x ID84 by using quick connect on IDS312.

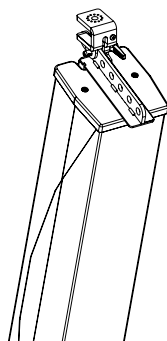


VNT-LIFTADAPT / VNI-WMADAPT

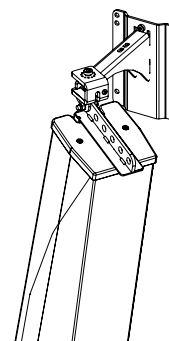


Max : 2xID84 + 2x ID84L

VNT-LIFTADAPT avec IDU-BUMP



VNI-WMADAPT avec IDU-BUMP & VNI-WM200

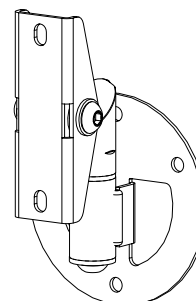


IDI-WB02 / VNI-WB02

Wall mount (up to 15 kg)

Use 2x WB02 to hang 1x ID84 on a wall.

± 35° horizontal

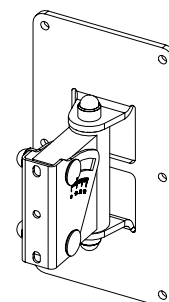


IDI-WM02 / VNI-WM02

Wall mount (up to 25 kg)

0° to -6° vertical and ± 50° horizontal

Can be fixed only on the upper hanging point of the ID84.

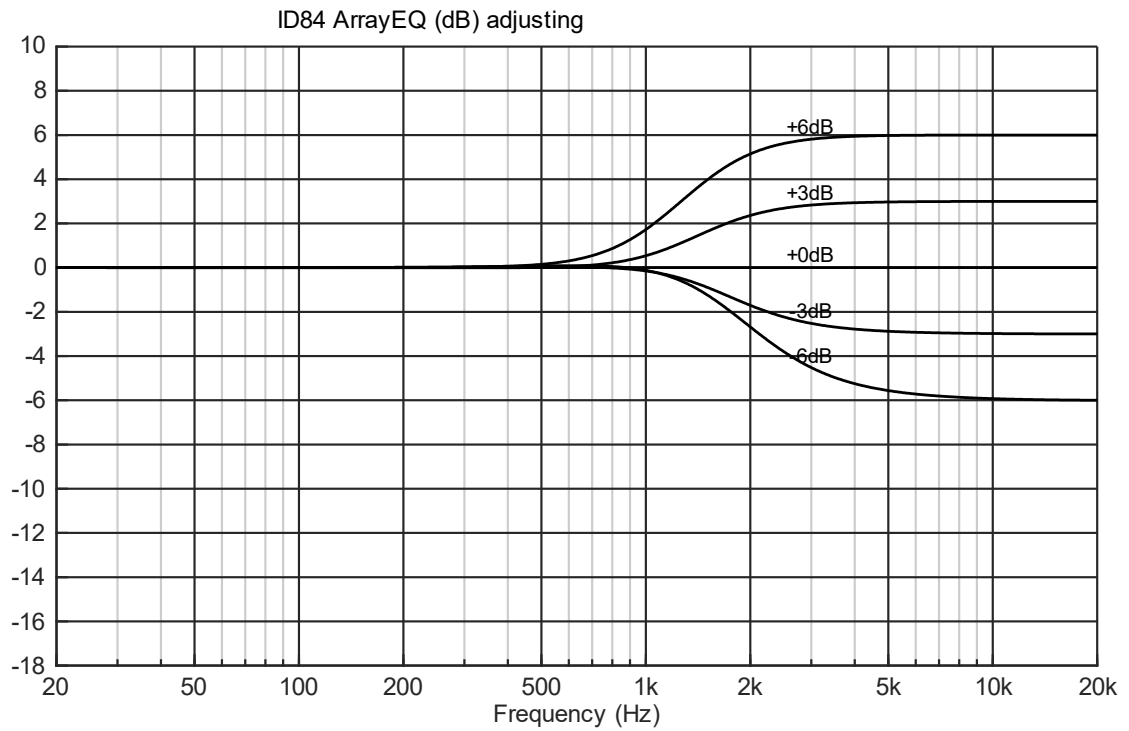
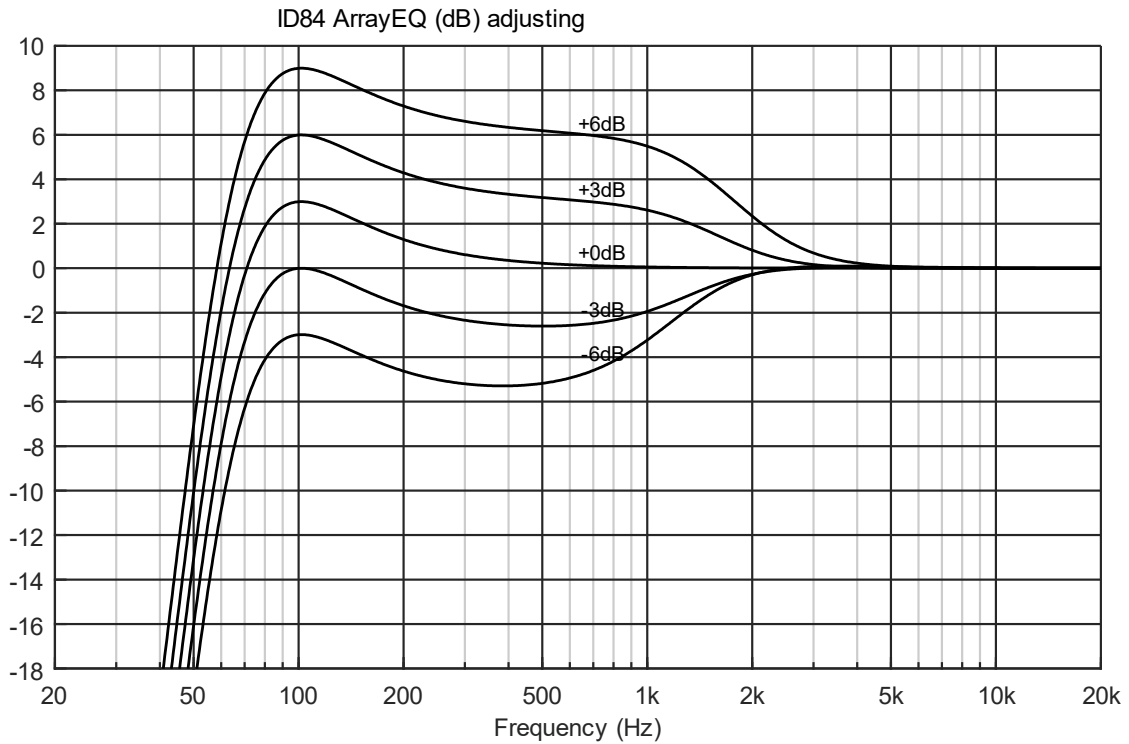


IDT-BAG84: transport bag for 1x ID84 ou ID84L

IDT-2CASE84: flight case for 2x (ID84 ou ID84L) + accessories (2x IDT-BUMP + 2x IDT-PLADAPT + 2x IDT-BPADAPT + 2x IDT-COUPPL + little storage)

ARRAY EQ

The ArrayEQ allows to adjust the system frequency response in its lower range (see curves below, with different ArrayEq values):



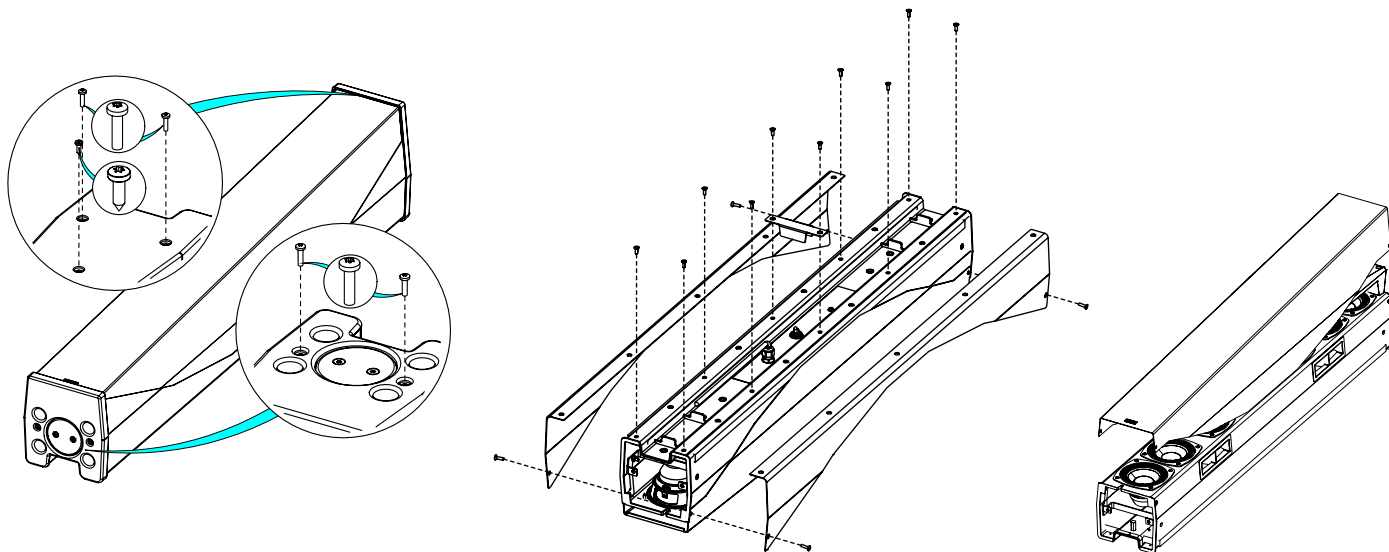
Apply the following array EQ HF **on all ID84** (not ID84L) of the assembly:

	1x ID84	2x ID84
0x ID84L	No adjustment	No adjustment
1x ID84L	+3dB	+1.5dB
2x ID84L	+4.5dB	+3dB

Driver access

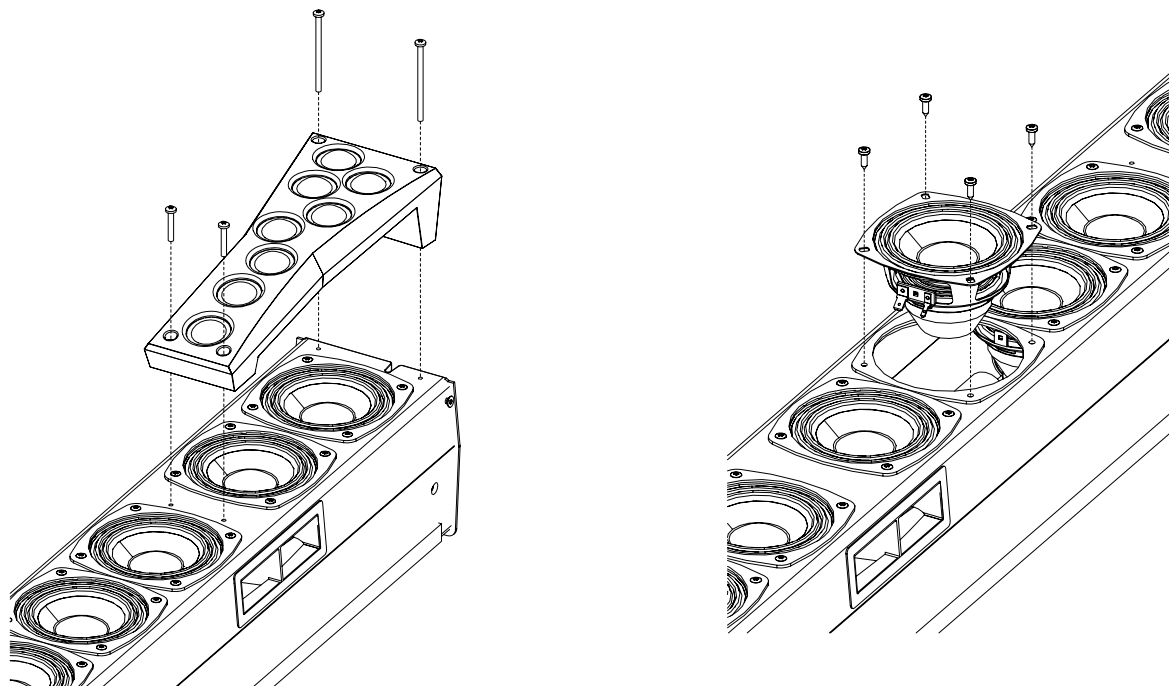
Remove the top cover (3 screws) and the bottom cover (2 screws). Tx 15 – 20
Tightening torque : 1.5Nm

Remove the 14 screws and the both sides plates. Tx 20. Tightening torque : 2.0Nm
Carefully, remove the grille.



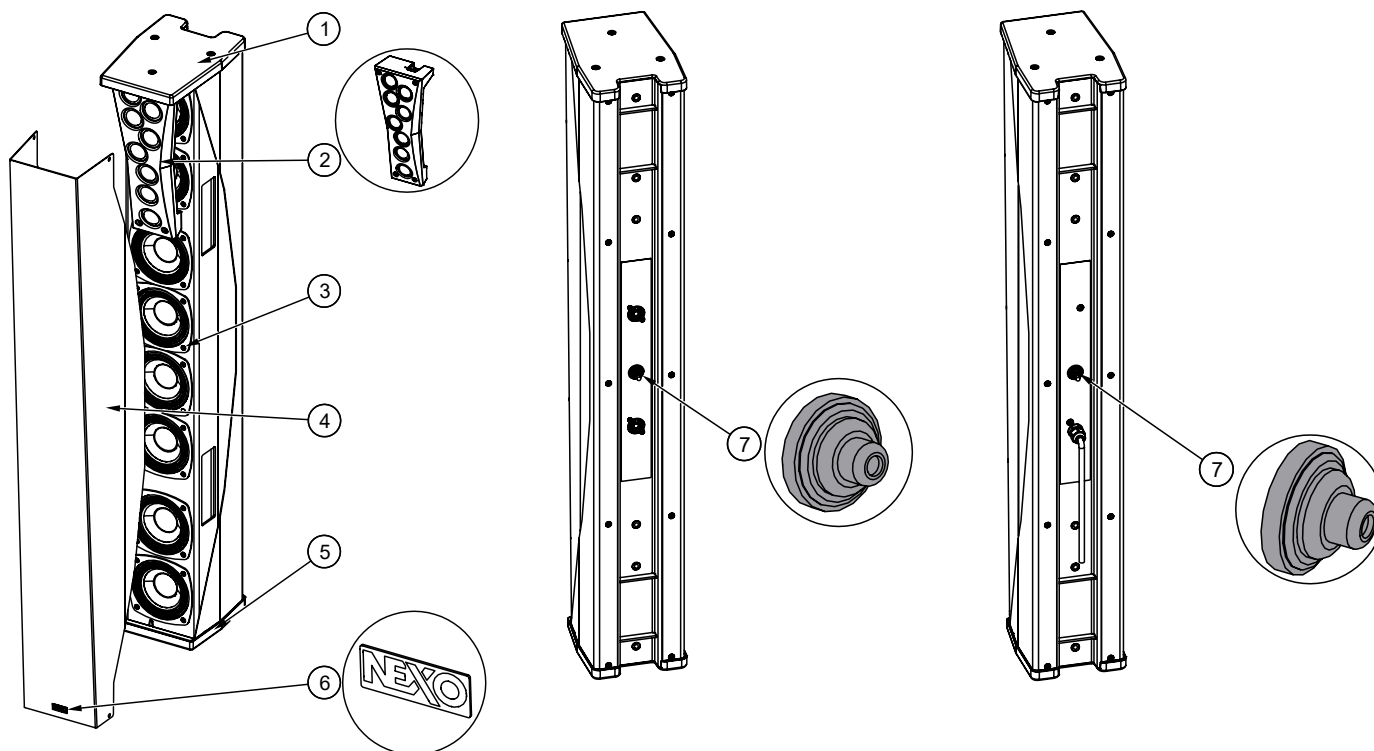
Remove the 4 screws and the RJ45 connector.
Remove the HF assembly. Tx20
Tightening torque : 1.2Nm

Remove the 4 screws to access the 4-inch driver. Tx15
Tightening torque : 1.0Nm



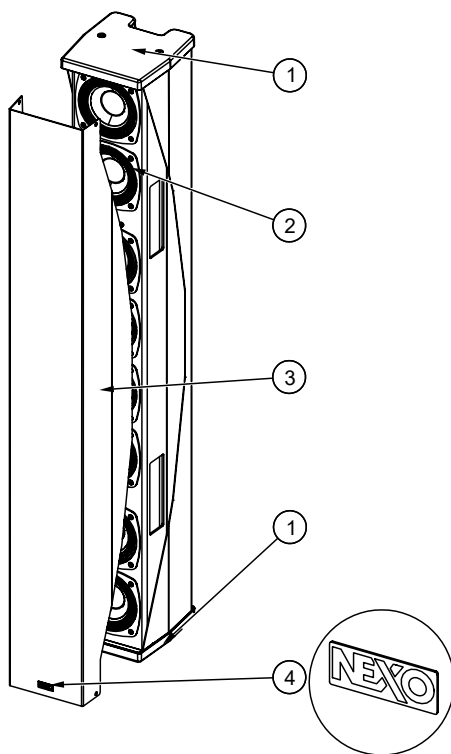
Spare parts

ID84



MARK	QUANTITY	REFERENCE	DESIGNATION
1	1	05ID84TOP	Top cover Black
	1	05ID84TOP-PW	Top cover White
2	1	05ID84HFC	HF assembly complete Black
		05ID84HFC-PW	HF assembly complete White
3	8	05HPB4-8	BASS DRIVER 4" 8 OHMS
4	1	05ID84T-A	Grille ID84 Touring Black
	1	05ID84T-APW	Grille ID84 Touring White
	1	05ID84I-A	Grille ID84-I Install Black
	1	05ID84I-APW	Grille ID84-I Install White
5	1	05ID84QC	Quick connect Black
	1	05ID84QC-PW	Quick connect White
6	1	05LOGNEXO3	Logo NEXO
7	1	05CAPSWTCH-2	Switch Cap Grey

MAINTENANCE
ID84L



MARK	QUANTITY	REFERENCE	DESIGNATION
1	1	05ID84COV	Top cover Black
	1	05ID84COV-PW	Top cover White
2	8	05HPB4-8	BASS DRIVER 4" 8 OHMS
3	1	05ID84LT-A	Grille ID84L Touring Black
	1	05ID84LT-APW	Grille ID84L Touring White
	1	05ID84LI-A	Grille ID84L-I Instal Black
	1	05ID84LI-APW	Grille ID84L-I Instal White
4	1	05LOGNEXO3	Logo NEXO

TECHNICAL SPECIFICATIONS

ID84 / ID84L WITH NEXO ELECTRONICS

Model	ID84	ID84L
Frequency range (± 6 dB)	90 Hz – 20 kHz	90 Hz – 1500 Hz
Peak SPL Level (1m)	135dB Peak	132dB Peak
Operating voltage	35Vrms (105Vpeak)	35Vrms (105Vpeak)
Vertical directivity	+0°/-10° or +0°/-25°	Depends on ID84 Main module configuration and assembly
Horizontal directivity	100°	100°
Crossover Frequency	90Hz – 120 Hz	90Hz – 120 Hz
Nominal Impedance	4 Ω	4 Ω

SPECIFICATIONS

Model	ID84	ID84L
Components	LF: 8x 4" ; HF : 8x 1 "	LF: 8x 4"
Material	Aluminum body and Magnelis® covers and grille	
Finish	Black (RAL9005), white (RAL9016) powder coating or custom RAL	
Front finish	Magnelis® front grille Magnelis® front grille – Automotive grade front cloth (versions I and TIS)	
Fittings	Threated M6 inserts on the back	
Connector	2x NL4, 4 poles connectors Quick connect in the base cover 1x cable gland with 2x core cable (version I)	2x NL4, 4 poles connectors 1x cable gland with 2x core cable (version I)
Weight	15 kg / 33 lb	14 kg / 31 lb
Dimensions		

NEXO S.A.

Parc d'activité de la Dame Jeanne
F-60128 PLAILLY

Tel: +33 3 44 99 00 70
Fax: +33 3 44 99 00 30
E-mail: info@nexo.fr

nexo-sa.com

