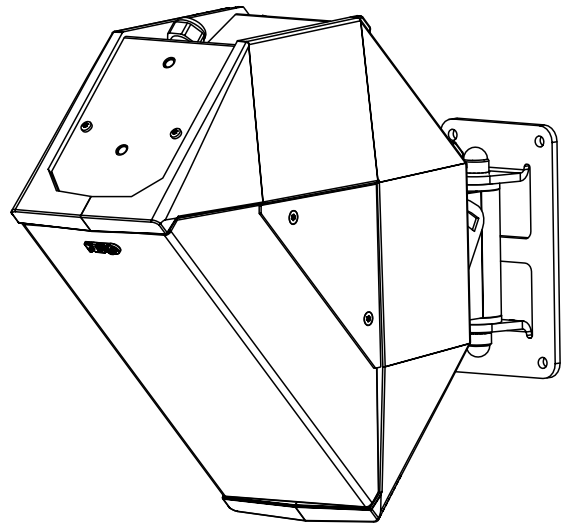
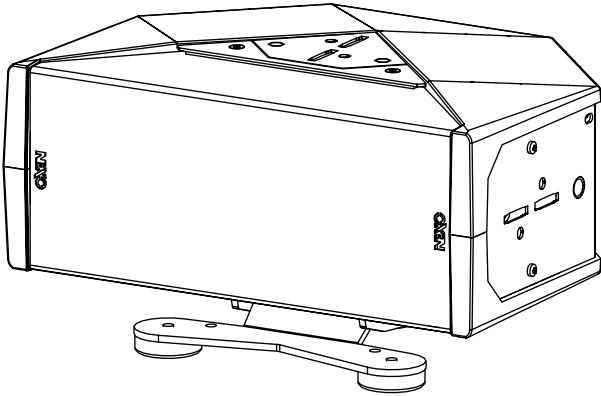


ID24 – ID24-I



User manual



TABLE OF CONTENTS

TABLE OF CONTENTS _____ 2

WARNINGS _____ 3

EQUIPMENT _____ 4

DESCRIPTION _____ 6

PRESET _____ 7

HORN ROTATION _____ 8

CROSSOVER FREQUENCY _____ 8


ACCESSORIES _____ 9

ARRAY EQ _____ 10

MAINTENANCE _____ 11

TECHNICAL SPECIFICATIONS _____ 15

USER NOTES _____ 16

EU Conformity declaration	
<p>We,</p> <p>Declare under our sole responsibility that the product</p> <p>Type</p> <p>Serial number</p> <p>Is in conformity with the provisions of the following directive including all applicable amendments:</p> <p>Applied rules and standards:</p> <p>Plailly, December, 2015</p>	<p>NEXO SA</p> <p>ZA DU PRE DE LA DAME JEANNE</p> <p>60128 PLAILLY – France</p> <p>Loudspeaker</p> <p>ID24</p> <p>On the product</p> <p>2014/35/UE (Low Voltage Directive)</p> <p>EN 13155, EN 62368</p> <p>Joseph CARCOPINO, R&D Director</p> <div style="text-align: right; margin-top: 20px;">  </div>

WARNINGS

PRECAUTIONS

Do not open the speaker, do not try to disassemble it neither to modify it in any way. The system doesn't include any user-repairable part.

If the system seems to be malfunctioning or damaged, stop using it at once and have it repaired by a NEXO qualified technician.

Do not expose the system directly to the sun or to the rain, do not immerse it into fluids, do not place objects filled with liquid on the system. If a liquid gets into the system, please have it inspected by a NEXO qualified technician.

The connection should be performed by qualified technician, by ensuring that power is off.

Operating temperature with temperate climate: 0°C to +40°C (+32°F to +104); -20°C à +60°C (-4°F to +140°F) for storage.

SAFETY INFORMATIONS

Read this manual before using the speaker.

Keep this manual available for further reference.

Observe all warnings and cautions.

Please check the NEXO Web site nexo-sa.com to get the most up-to-date version of this manual.

Ensure you are aware of the safety rules applying to rigging, stacking or installing on tripod or speaker stand. Failure to observe these rules may expose persons to potential wounds or even death.

Only use the system with accessories specified by NEXO.

Please always consult a NEXO-accredited technician if the installation needs architectural works and observe following precautions:

Mounting Precautions:

- Please select screws and mounting location supporting 4 times the system weight.
- Do not expose the system to excessive dust, vibrations, to extreme cold or hot temperatures, to reduce the risk of damaging components.
- Do not place the system in an unstable position: it could fall accidentally.
- If the system is used on a tripod, please ensure the tripod's specifications are adapted and that its height does not exceed 1.40m/55". Do not move the tripod with the system in position.

Connection and Powering Precautions:

- Unplug connected cables before moving the system.
- Power off the system before connecting the system.
- When switching on the installation, the amplifier must be powered last; when switching the installation off, shut off the amplifier first.
- If you work by cold temperatures, progressively raise the level to nominal value during the first minutes of use, to allow the system components to stabilize.

Please check regularly the system condition.

HIGH SOUND PRESSURE LEVELS

Exposure to very high sound pressure levels may cause permanent hearing losses. Degrees of hearing losses may be different from one person to another, but almost everybody will be affected if exposed to high sound pressure levels during a long period of time. The OSHA (Occupational Safety and Health Administration) American Agency specified the following maximal exposures:

Number of Hours	Sound Pressure Level (dBA), Slow Response
8	90
6	92
4	95
3	97
2	100
1 ½	102
1	105
½	110
¼ or less	115

WASTE OF ELECTRIC OR ELECTRONIC EQUIPMENT

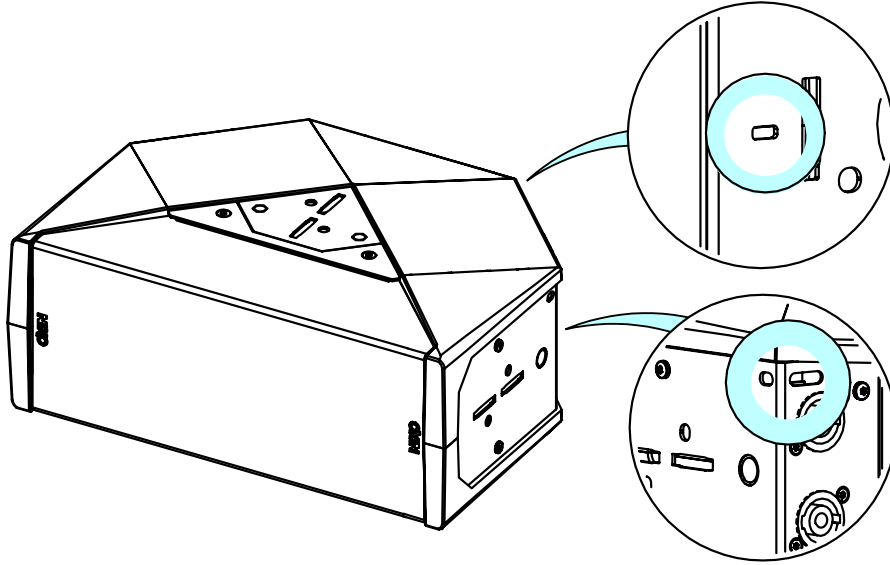


This symbol on the product or its packaging indicates that this product must not be treated as household waste. Instead, it is your responsibility to hand it over to a designated collection point for the recycling of waste electrical and electronic equipment. By ensuring your waste equipment is recycled, you will help prevent potential negative consequences for the environment and human health, which could appear if this product was not recycled. Recycling helps spare natural resources. For more information about the recycling of this product, please contact your local city office, your household waste disposal service or your reseller.

EQUIPMENT

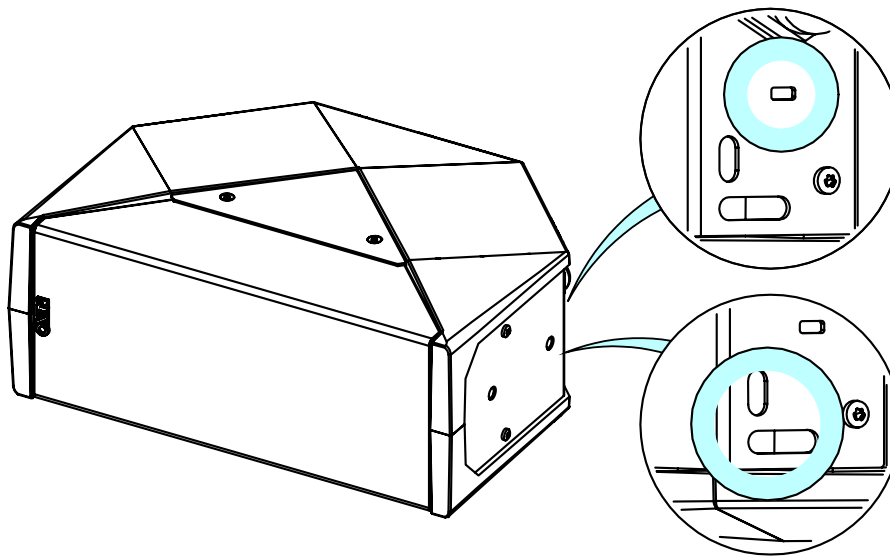
ID24

- Safety slot on the back to secure ID24.
- Kensington Security Slot on the back.
- 5 prints (top, bottom, rear and each sides) for IDT-QRA / IDT-TCBRK
- Rear panel plate for IDT-GSTK
- 1 M10 threaded insert for IDT-TVP (**WARNING, for other fasteners, the length of thread must be less than 12mm**).
- 2x M10 threaded insert on ID24 from serial number 10000 for IDT-TVP –IDT-HBRK24 (**WARNING, for other fasteners, the length of thread must be less than 12mm**).



ID24-I

- Safety slot on the back to secure ID24.
- Kensington Security Slot on the back.
- 6 x M6 threaded inserts on the speaker belt for mounting accessories.
- 2x M8 threaded insert on ID24 from serial number 10000 for IDI-HBRK24 (**WARNING, for other fasteners, the length of thread must be less than 12mm**).

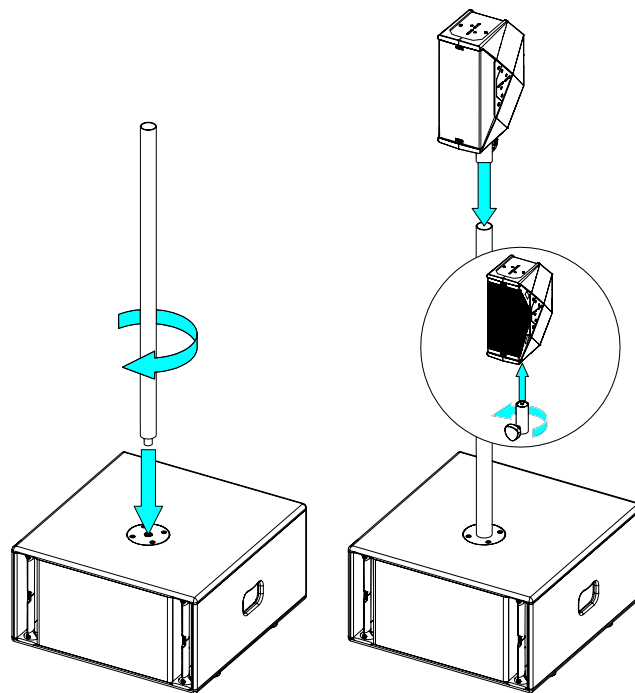


Assembly on distance rod or speaker stand

Place distance rod on the connector plate (M20) of the Sub.
Place ID24 on the distance rod / monitor stand

IMPORTANT

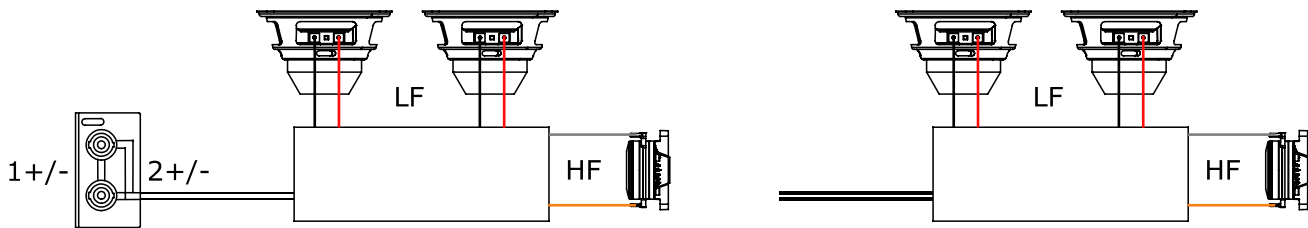
Speaker stand must be rated for ID24 weight.
Speaker stand must always be installed on a horizontal surface.
Stand height and footprint must be defined to prevent assembly from collapsing.
Ensure that audience is not allowed within a safety area which radius is equal or higher than assembly height.
Test steadiness of the assembly by pushing in all directions.



DESCRIPTION

DESCRIPTION

- The ID24 is a compact full-range 2-way speaker, equipped with two 4" speakers (in a V-shape arrangement) and a rotatable HF horn. The horn can be rotated easily, without tools, to choose the HF covering angle.
- ID24 HF Dispersion:
 - 60° - 60°: ID.24-I6060 / ID.24-I6060PW / ID.24T6060 / ID.24-C
 - 90° - 40°: ID.24-I9040 / ID.24-I9040PW / ID.24T9040 / ID.24-C
 - 120° - 60°: ID.24-I12060 / ID.24-I12060PW / ID.24T12060 / ID.24-C
 - 120° - 40°: ID.24-I12040 / ID.24-I12040PW / ID.24T12040 / ID.24-C
- The ID24 can be used alone or with a IDS110 or IDS210 subwoofer.
 - 1x ID24 for 1x IDS110
 - 2x ID24 for 1x IDS210
- Versions:
 - ID24t : for « Touring » applications.
 - ID24i : for fixed installations.
 - ID24c : A la carte.
- Connections:
 - ID24t: The speaker is equipped with two Speakon NL4 connectors, with parallel-wired pins – the ID24t uses the 2+/- pins. The 1+/- pins are used by the subs.
 - ID24i: The speaker is supplied with a fixed cable (HO7ZZ-F), 2x1.5mm² section, length 1m, outside diameter 9mm ±1mm.
 - **(+): brown ; (-) : blue**



- Amplification:
 - The ID24 speakers **MUST** be used with a NEXO processor to handle EQ, phase alignment, crossover and excursion/thermal protection for the system loudspeakers. There are two NEXO processor series supporting the ID24 speakers: NXAMP (4-channel) amplified processors and DTD processors DTD (stereo + sub). DTD processors ensure optimal performances when used with DTDAMP power amplifiers.
 - The following table shows the number of ID24 speakers and IDS110 / IDS210 subwoofers usable with each solution.

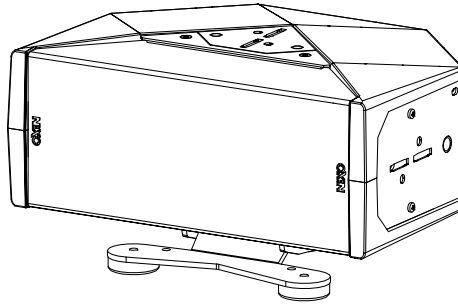
	NXAMP4x1mk2	NXAMP4x2mk2	NXAMP4x4	DTD + DTDAMP 4x0.7	DTD + DTDAMP 4x1.3
ID24	1 to 4 per channel	1 to 8 per channel	1 to 8 per channel	1 to 3 per channel	1 to 4 per channel
IDS110	1 or 2 per channel	1 or 2 per channel	1 or 2 per channel	1 per channel	1 per channel
IDS210	1 per channel	1 per channel	1 per channel	/	
	Recommended				

PRESET

ID24 setups are available for each directivity with four different kind of setups targeted for specific applications. Please take some time to listen to these different setups and select the one that matches your needs best. Each setup can be used with three different crossover frequency (total is 4 directivities x 4 kind of setups x 3 crossovers = 48 different setups).

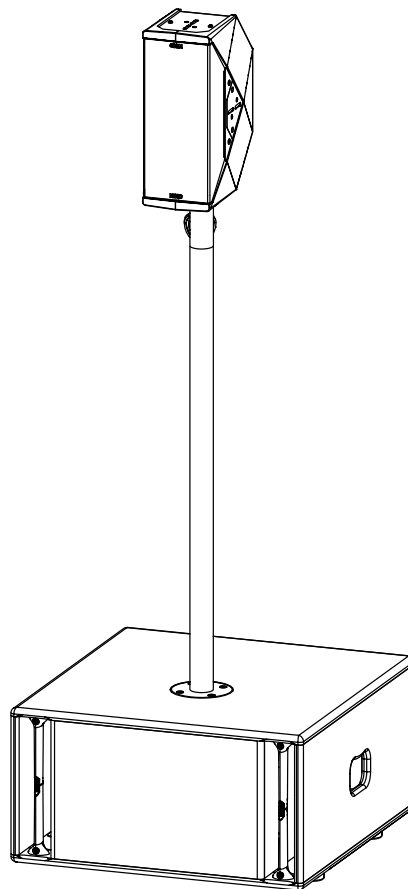
- MAIN is the recommended setup for most FOH application, similar to previous firmware setup.
- FRONT FILL is recommended when used as a front fill in a complement of a larger system.
- MONITOR is recommended for monitor applications. Warning: this setup is a low latency setup and therefore its phase is not compatible with other Nexo cabinets, including subs.
- LOUNGE is recommended for Club and Lounge applications.

ID24



Front of house and stage monitor applications

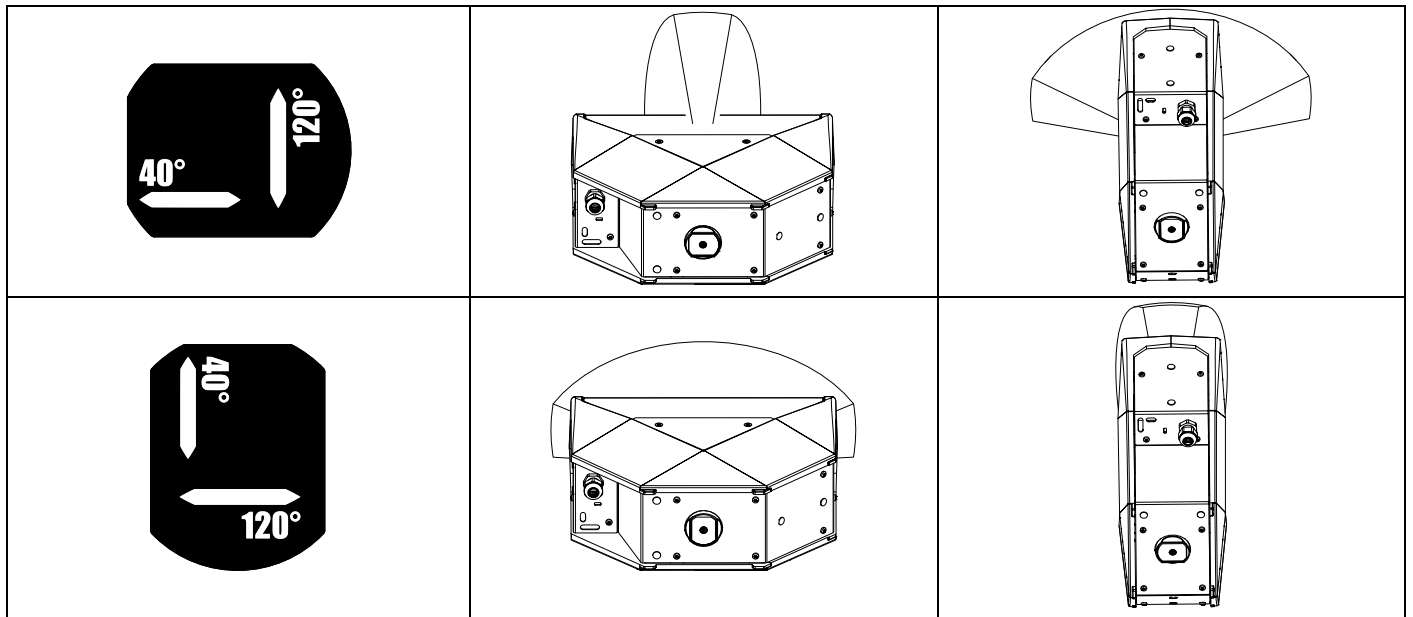
ID24+ Sub



Front of house applications with Sub

HORN ROTATION

- The ID24 speaker can be used in horizontal or vertical position.
- The horn can be rotated without tools: push the button on the ID24's rear panel and turn it by 90°.
- Different mounting possibilities and horn rotation allow to deal with every request (e.g. with a 120°x40° horn, below).



CROSSOVER FREQUENCY

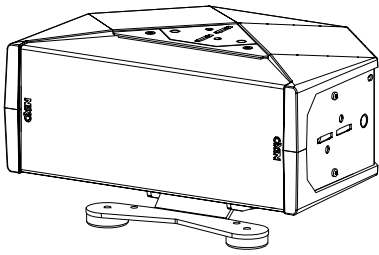
Please choose the crossover frequency value according to application:

- 95Hz Full range application.
- 120Hz Use with a NEXO subwoofer, e.g. IDS110 or IDS210.
- 150Hz Use as « front fill » on stage, complementing a main system.

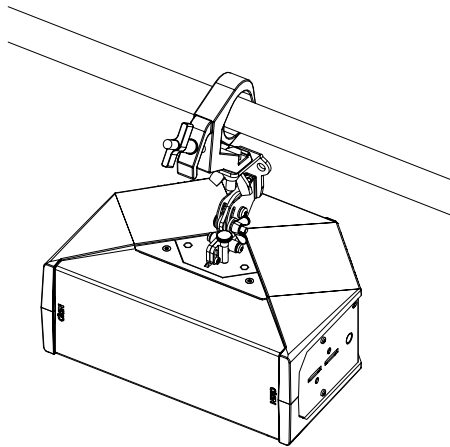
ACCESSORIES

ID24t

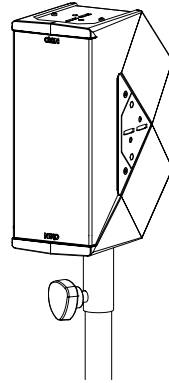
IDT-GSTK



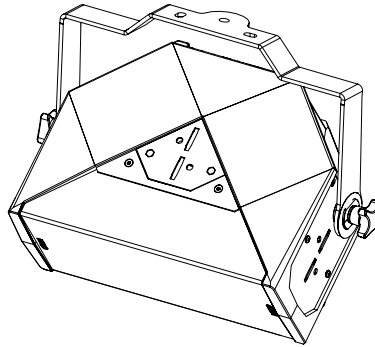
IDT-TCBRK2538-V2 / TCBRK3851-V2 / QRA-V2



IDT-TVP

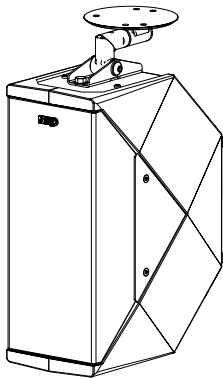


IDT-HBRK24 (only usable with ID24 from serial number 10000).

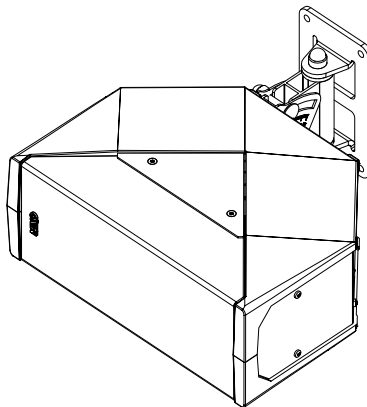


ID24i

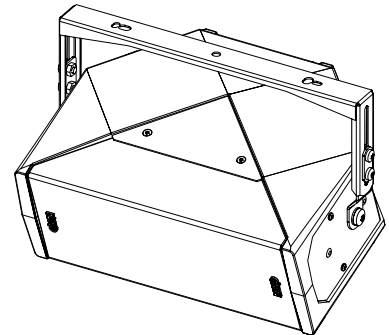
IDI-WB02



IDI-WM01

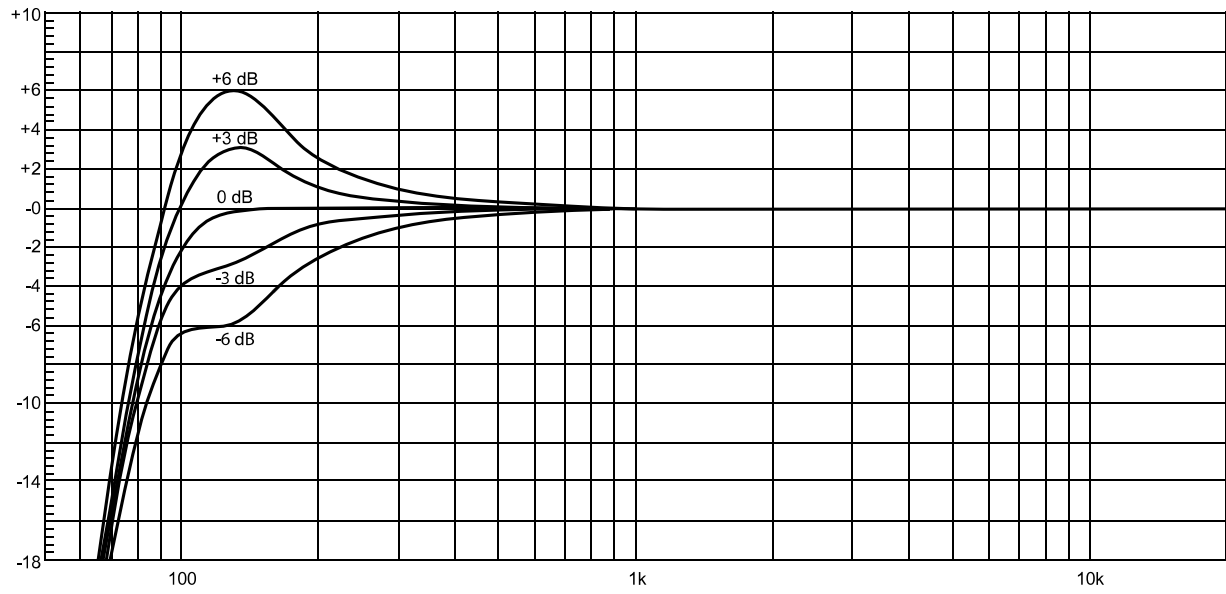


IDI-HBRK24 (only with ID24 from serial number 10000)



ARRAY EQ

The ArrayEQ allows to adjust the system frequency response in its lower range (see curves below, with different ArrayEQ values):

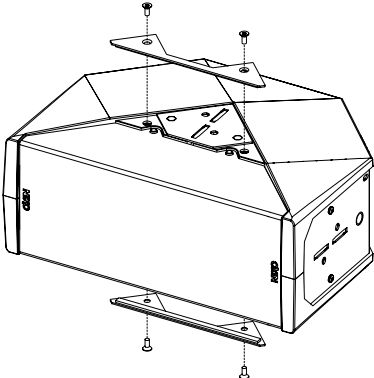
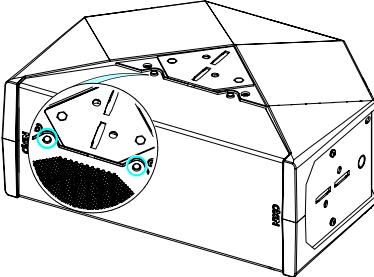
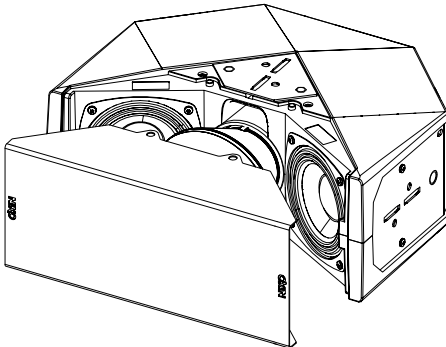


MAINTENANCE

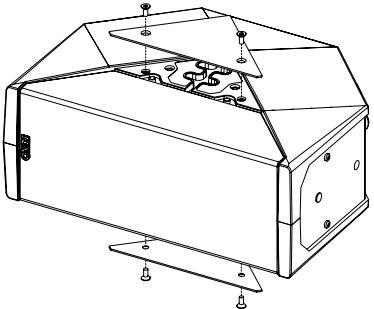
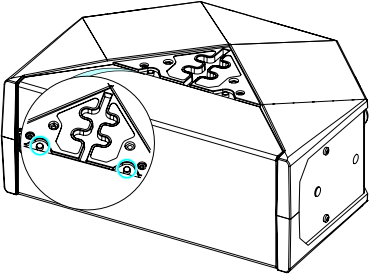
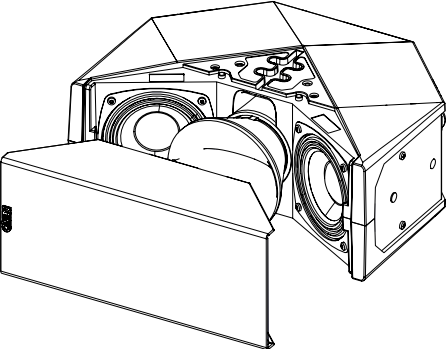
NOTE:
Speakers and Grills can be sent back to NEXO for recycling

1.1 Grille

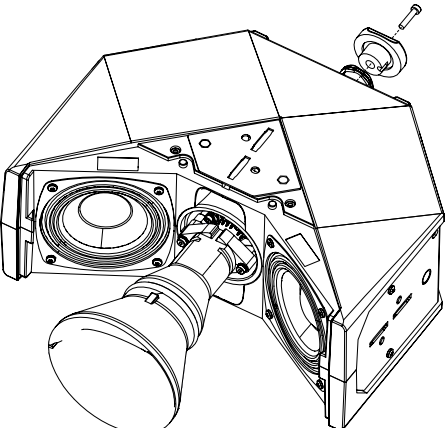
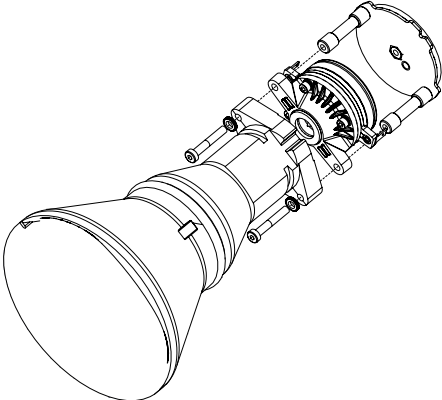
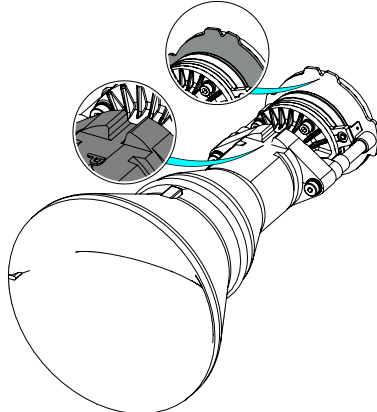
ID24t

<p>Remove the 4 screws and the 2 <u>Fixgrill</u>. Tightening torque: 1 Nm</p>	<p>Remove the grille from the 4 plastic bolts (2 on the top and 2 on the bottom).</p>	<p>Pull forward.</p>
		

ID24i

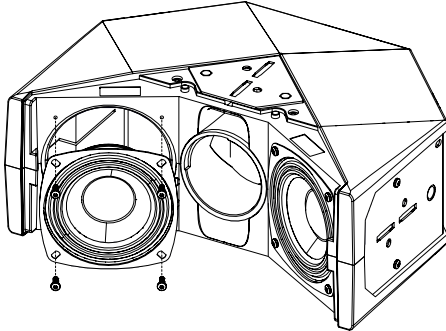
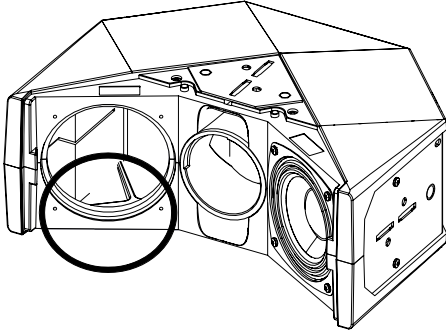
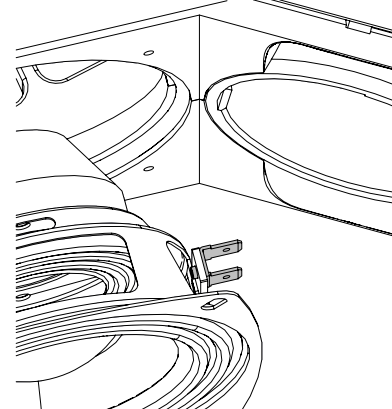
<p>Remove the 4 screws and the 2 <u>Trifix</u>. Tightening torque: 1 Nm</p>	<p>Remove the grille from the 4 plastic bolts (2 on the top and 2 on the bottom).</p>	<p>Pull forward.</p>
		

1.2 Horn (remove the grille before)

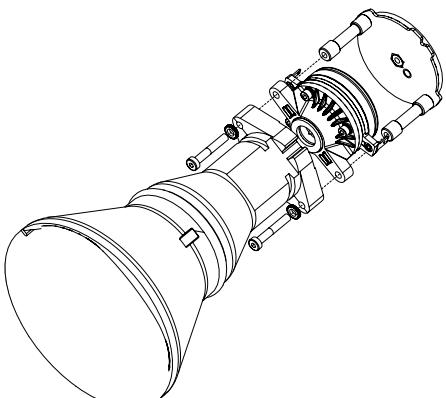
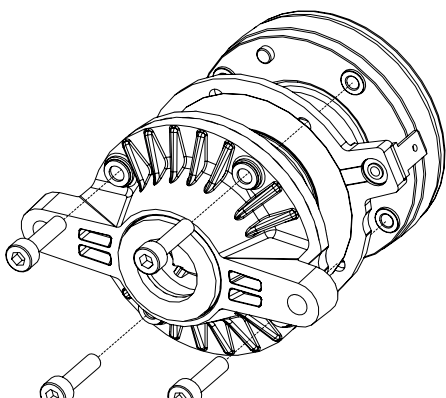
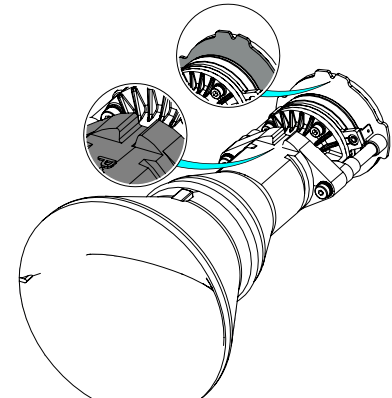
<p>Remove the screw and the knob (take care with the spring). Slide the horn forward (be careful with the cables). Tightening torque: 1.7 Nm</p>	<p>Remove the 2 screws to change the horn. Tightening torque: 1 Nm</p>	<p>Align the marks to reassemble.</p>
		

MAINTENANCE

1.3 4" driver

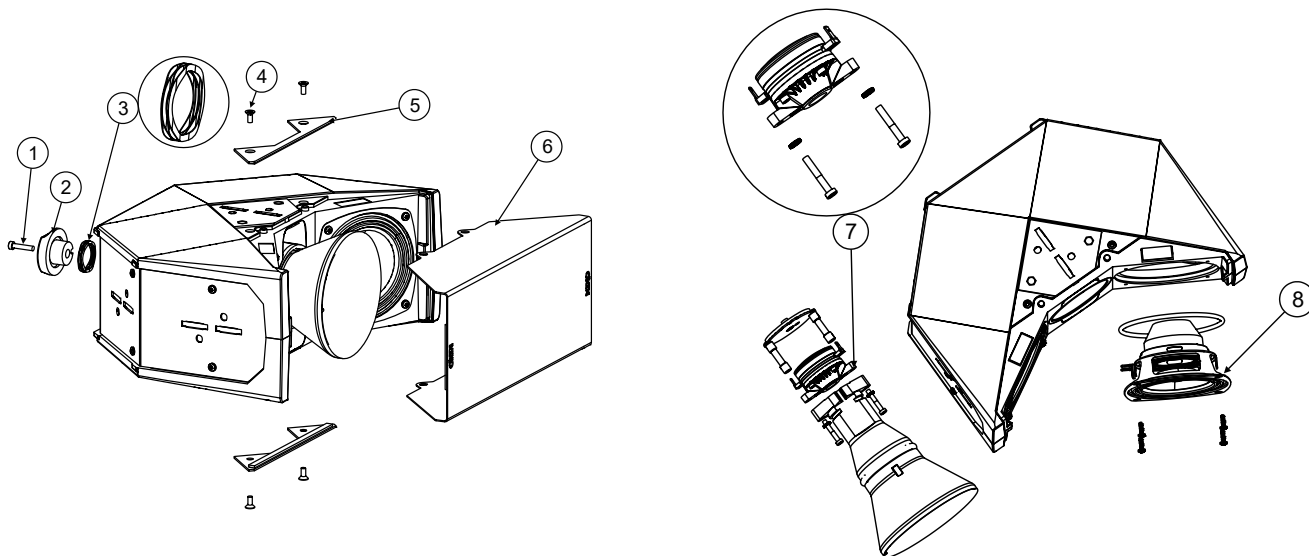
<p>Remove the 4 screws and the driver. Tightening torque: 1.5 Nm</p>	<p>Remove the gasket.</p>	<p>Reassemble the driver with the plug facing towards the horn.</p>
		

1.4 HF Driver

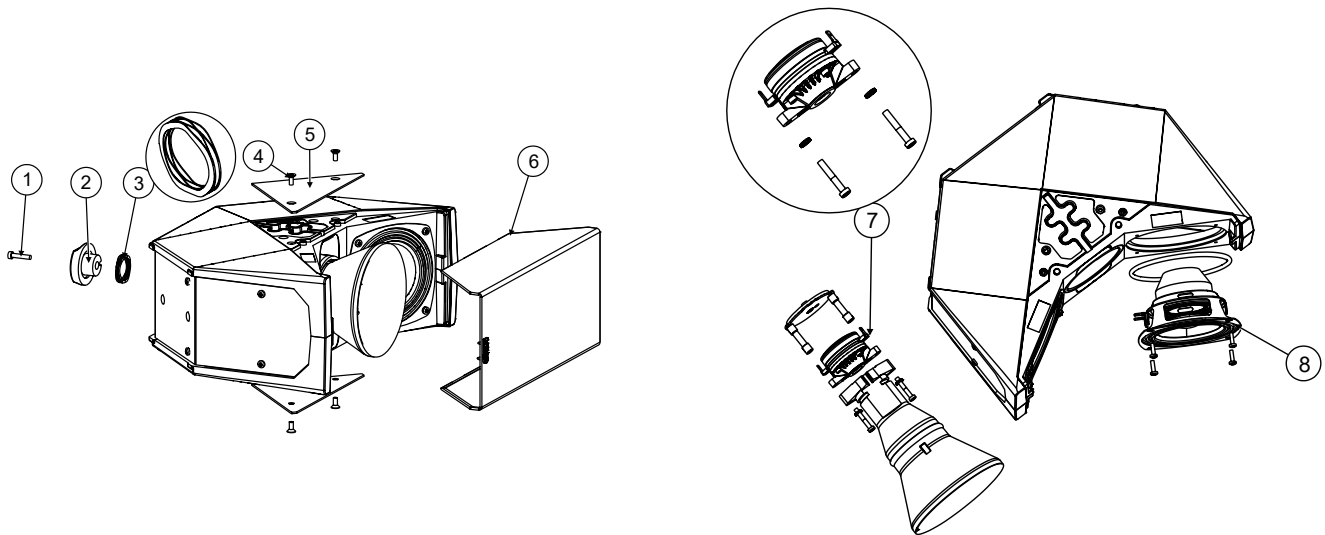
<p>Remove the 2 screws.</p>	<p>Remove the 4 screws for changing the diaphragm. Tightening torque: 0.5 Nm</p>	<p>Align the marks to reassemble. Tightening torque: 1 Nm</p>
		

1.5 Spare parts.

ID24t



MARK	QUANTITY	PART REFERENCE	DESIGNATION
1	1	05VXTCX420N	Screw VXTCX M4x20 black (x10)
	1	05VXTCX420	Screw VXTCX M4x20 white (x10)
2	1	05KNOB24	Push Button black (with 1 – 3, without Lexan)
	1	05KNOB24W	Push Button white (with 1 – 3, without Lexan)
3	1	05RESOND2822	Wave Spring
4	4	05VXTCFX410N-EL	Screw VVFX M4x10 black (x10)
	4	05VXTCFX410-EL	Screw VVFX M4x10 white (x10)
5	2	05AMIDTRMOT	ID24t Fix grid plate black (with 4)
	2	05AMIDTRMOT-PW	ID24t Fix grid plate white (with 4)
6	1	05ID24T-A	ID24t Grid complete black
	1	05ID24T-AW	ID24t Grid complete white
7	1	05HPADE5-16	HF Driver DE5-16 (with screws and washers)
	1	05NH5-16R/K	DE5-16 Diaphragme (with screws and washers)
8	2	05HPB4-8	HP 4" Driver (with gasket and screws)



REPERE	QUANTITE	PREFERENCE	DESIGNATION
1	1	05VXTCX420N	Screw VXTCX M4x20 black (x10)
	1	05VXTCX420	Screw VXTCX M4x20 white (x10)
2	1	05KNOB24	Push Button (with 1 – 3, without Lexan)
	1	05KNOB24W	Push Button white (with 1 – 3, without Lexan)
3	1	05RESOND2822	Wave Spring
4	4	05VXTCFX410N-EL	Screw VXFX M4x10 black (x10)
	4	05VXTCFX410-EL	Screw VXFX M4x10 white (x10)
5	2	05AMIDTRFX	ID24i Fix Grid Plate Black (with screw4 Bk)
	2	05AMIDTRFXPW	ID24i Fix Grid Plate White(with screw4 W)
6	1	05ID24I-A	ID24i Black Grille (with Logo)
	1	05ID24I-APW	ID24i White Grille (with Logo)
7	1	05HPADE5-16	HF Driver DE5-16 (with screws and washers)
	1	05NH5-16R/K	DE5-16 Diaphragme (with screws and washers)
8	2	05HPB4-8	HP 4" Driver (with gasket and screws)

TECHNICAL SPECIFICATIONS

ID24 WITH NEXO ELECTRONICS

Model	ID24i	ID24t	ID24c
Frequency Range	95Hz – 20kHz (+/- 6dB)		
Sensitivity (1W / 1m)	100dB SPL Nominal		
Operating voltage	35Vrms (180 Vpeak)		
Peak SPL Level (1m)	126dB Peak		
HF Dispersion (according to horns)	60°x60° - 90°x40° - 120°x40° - 120°x60°		
Nominal Impedance	16Ω		
Recommended Amplification per box	200 to 500W		

SPECIFICATIONS

Model	ID24i	ID24t	ID24c
Components	LF: 2x4" – Long excursion– Neodymium Magnet HF: 1" driver with ½ " throat – Neodymium Magnet		
Material	Water-resistant Polyurethane		
Finition	White: Structural paint Black: Raw sandblasted polyurethane		A la carte
Grid	Stainless steel Acoustical fabric, black or white	Stainless steel Black paint	A la carte
Rigging	6x 6mm threaded inserts 2x M8 threaded insert (from serial number 10000)	6x prints for quick rigging M10 threaded insert 2x M10 threaded insert (from serial number 10000)	A la carte, among: 6x Inserts 6mm 2x M8 threaded insert (from serial number 10000) 6x prints for quick rigging M10 threaded insert 2x M10 threaded insert (from serial number 10000)
Weight	6 kg – 13 lb		

Dimensions			
------------	--	--	--

Application Notes are available on the NEXO Web site, nexo-sa.com

NEXO S.A.

Parc d'activité de la Dame Jeanne
F-60128 PLAILLY

Tel: +33 3 44 99 00 70
Fax: +33 3 44 99 00 30
E-mail: info@nexo.fr

nexo-sa.com

NEXO