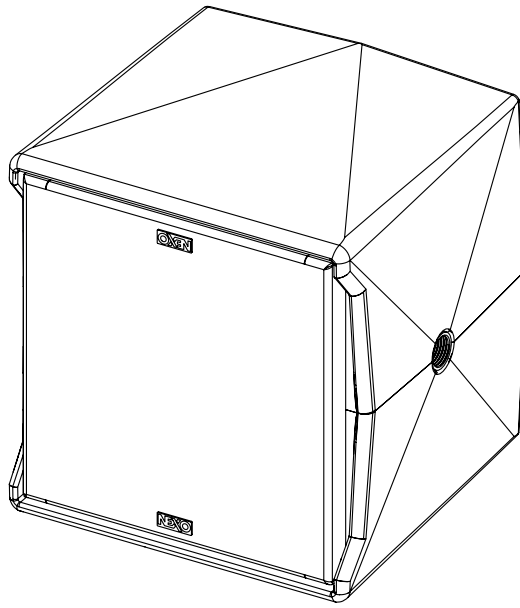


# ID14 / ID14-I



User manual



**TABLE OF CONTENTS**

TABLE OF CONTENTS \_\_\_\_\_ 2

WARNINGS \_\_\_\_\_ 3

EQUIPMENT \_\_\_\_\_ 4

DESCRIPTION \_\_\_\_\_ 5

PRESET \_\_\_\_\_ 6

CROSSOVER FREQUENCY \_\_\_\_\_ 7

ACCESSORIES \_\_\_\_\_ 8

ARRAY EQ \_\_\_\_\_ 10

MAINTENANCE \_\_\_\_\_ 11

TECHNICAL SPECIFICATIONS \_\_\_\_\_ 13

USER NOTES \_\_\_\_\_ 14

EU Conformity declaration	
	We, <b>NEXO SA</b> <b>ZA DU PRE DE LA DAME JEANNE</b> <b>60128 PLAILLY – France</b>
Declare under our sole responsibility that the product	<b>Passive Loudspeaker</b>
Type	<b>ID14</b>
Serial number	<b>On the product</b>
Is in conformity with the provisions of the following directive including all applicable amendments:	<b>2014/35/UE (Low Voltage Directive)</b>
Applied rules and standards:	<b>EN 13155, EN 62368</b>
Plailly, August 2020	<b>Joseph CARCOPINO, R&amp;D Director</b>  

**WARNINGS**

**PRECAUTIONS**

Do not open the speaker, do not try to disassemble it neither to modify it in any way. The system doesn't include any user-repairable part.

If the system seems to be malfunctioning or damaged, stop using it at once and have it repaired by a NEXO qualified technician.

Do not expose the system directly to the sun or to the rain, do not immerse it into fluids, do not place objects filled with liquid on the system. If a liquid gets into the system, please have it inspected by a NEXO qualified technician.

The connection should be performed by qualified technician, by ensuring that power is off.

Operating temperature with temperate climate: 0°C to +40°C (+32°F to +104); -20°C à +60°C (-4°F to +140°F) for storage.

**SAFETY INFORMATIONS**

Read this manual before using the speaker.

Keep this manual available for further reference.

Observe all warnings and cautions.

Please check the NEXO Web site [nexo-sa.com](http://nexo-sa.com) to get the most up-to-date version of this manual.

Ensure you are aware of the safety rules applying to rigging, stacking or installing on tripod or speaker stand. Failure to observe these rules may expose persons to potential wounds or even death.

Only use the system with accessories specified by NEXO.

Please always consult a NEXO-accredited technician if the installation needs architectural works and observe following precautions:

**Mounting Precautions:**

- Please select screws and mounting location supporting 4 times the system weight.
- Do not expose the system to excessive dust, vibrations, to extreme cold or hot temperatures, to reduce the risk of damaging components.
- Do not place the system in an unstable position: it could fall accidentally.
- If the system is used on a tripod, please ensure the tripod's specifications are adapted and that its height does not exceed 1.40m/55". Do not move the tripod with the system in position.

**Connection and Powering Precautions:**

- Unplug connected cables before moving the system.
- Power off the system before connecting the system.
- When switching on the installation, the amplifier must be powered last; when switching the installation off, shut off the amplifier first.
- If you work by cold temperatures, progressively raise the level to nominal value during the first minutes of use, to allow the system components to stabilize.

**Please check regularly the system condition.**

**HIGH SOUND PRESSURE LEVELS**

Exposure to very high sound pressure levels may cause permanent hearing losses. Degrees of hearing losses may be different from one person to another, but almost everybody will be affected if exposed to high sound pressure levels during a long period of time. The OSHA (Occupational Safety and Health Administration) American Agency specified the following maximal exposures:

Number of Hours	Sound Pressure Level (dBA), Slow Response
8	90
6	92
4	95
3	97
2	100
1 ½	102
1	105
½	110
¼ or less	115

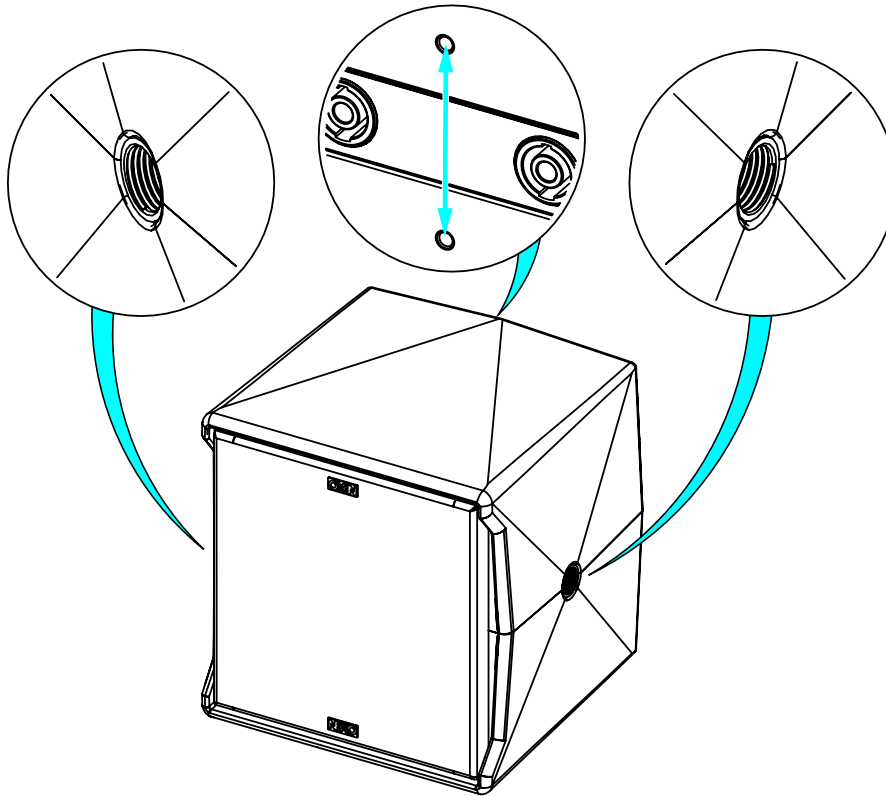
**WASTE OF ELECTRIC OR ELECTRONIC EQUIPMENT**



This symbol on the product or its packaging indicates that this product must not be treated as household waste. Instead, it is your responsibility to hand it over to a designated collection point for the recycling of waste electrical and electronic equipment. By ensuring your waste equipment is recycled, you will help prevent potential negative consequences for the environment and human health, which could appear if this product was not recycled. Recycling helps spare natural resources. For more information about the recycling of this product, please contact your local city office, your household waste disposal service or your reseller.

## EQUIPMENT

3 locations for hanging, 1 on the back (2x M6 / 73mm pitch) and on each side (1x M10).

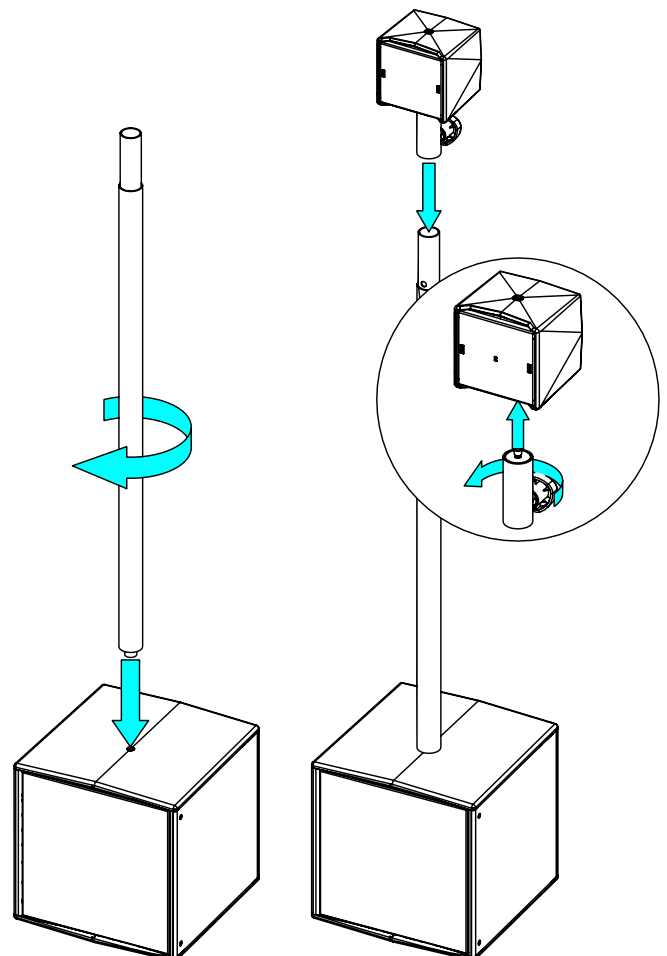


### Assembly on distance rod or speaker stand

Place distance rod on the connector plate (M10) of the Sub.  
Place ID14 on the distance rod / monitor stand

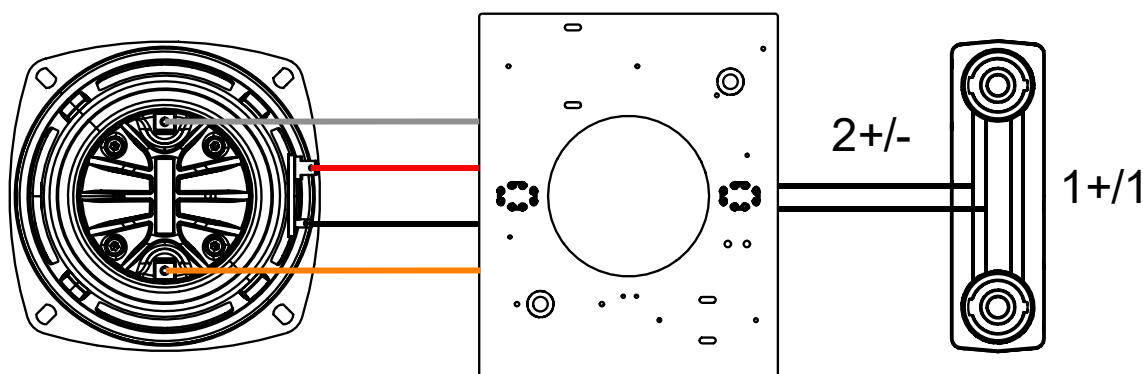
#### IMPORTANT

Speaker stand must be rated for ID14 weight.  
Speaker stand must always be installed on a horizontal surface.  
Stand height and footprint must be defined to prevent assembly from collapsing.  
Ensure that audience is not allowed within a safety area which radius is equal or higher than assembly height.  
Test steadiness of the assembly by pushing in all directions.



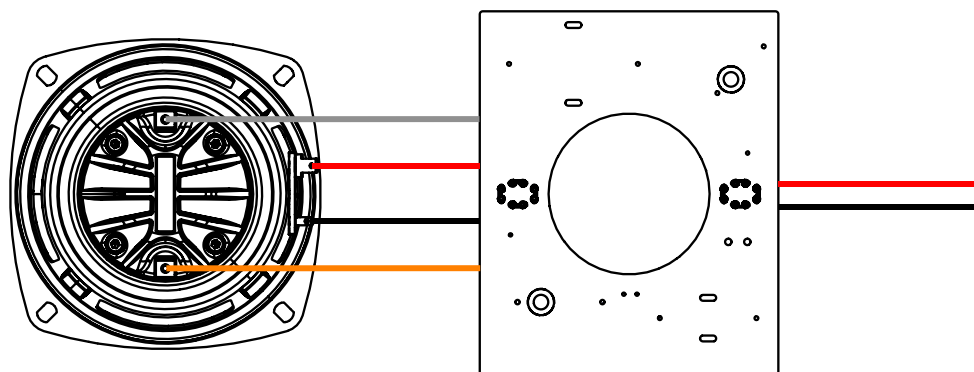
## DESCRIPTION

- The ID14 is a compact full-range coaxial speaker
- ID14 HF Dispersion (upon ordering):
  - 100° - 100°: ID.14-I100100 / ID.14-I100100PW / ID.14-T100100 / ID.14-T100100PW
  - 90° - 140°: ID.14-I90140 / ID.14-I90140PW / ID.14-T90140 / ID.14-T90140PW
- Versions:
  - ID14t: for “Touring” applications, black, white.
  - ID14i: for fixed installations, black, white
- ID14 can be used alone or with IDS108 subwoofer.
- ID14t is equipped with two Speakon NL4 connectors with parallel-wired pins, one on each side and two on the back. ID14t use 2+/2-. The 1+/1- pins are used by the sub.



- ID14i is supplied with a fixed cable (HO7ZZ-F), 2x 0.75mm<sup>2</sup> section, length 2m, outside diameter 6.1mm ± 1mm.

(+): Brown / Red; (-): Blue / Black



- Amplification
  - The ID14 speakers must be used with a NEXO processor to handle EQ, phase alignment, crossover and excursion/thermal protection for the system loudspeaker.
  - The following table shows the number of ID14 speakers and IDS108 subwoofers usable with each solution.

	DTD + DTDAMP4X0.7	DTD + DTDAMP4X1.3	NXAMP4X1mk2	NXAMP4X2mk2	NXAMP4X4mk2
ID14	Up to 4 per channel	Up to 4 per channel	Up to 8 per channel	Up to 8 per channel	Up to 8 per channel
IDS108	Up to 2 per channel	Up to 2 per channel	Up to 3 per channel	Up to 4 per channel	Up to 4 per channel
	Recommended				

Please consult [nexo-sa.com](http://nexo-sa.com) for NEXO TD Controllers firmware information.

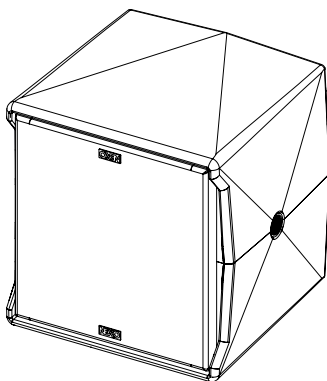
For the ID14, the following setups are available:

- MAIN is the recommended setup for most FOH application, similar to previous firmware setup.
- MONITOR is recommended for monitor applications. Warning: this setup is a low latency setup and therefore its phase is not compatible with other NEXO cabinets, including subs.

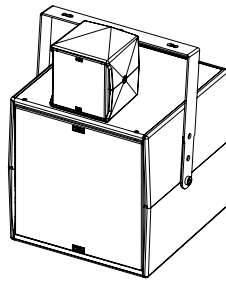
Preset

- ID14 MON PA 100100, with high pass at 120 or 150 Hz.
- ID14 MON PA 14090, with high pass at 120 or 150 Hz.
  
- ID14 MAIN PA 100100, with high pass at 120 or 150 Hz.
- ID14 MAIN PA 14090, with high pass at 120 or 150 Hz.

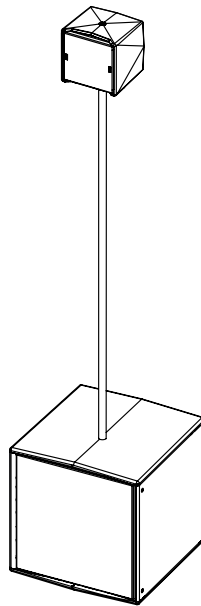
## ID14



Front of house and stage monitor applications

**ID14 + IDS108**

Stage monitor applications with Sub



Front of house applications with Sub

**CROSSOVER FREQUENCY**

- 120 Hz: Default crossover, to be used without sub or with a small sub, e.g. IDS108.
- 150 Hz: Used for high level application, for « front fill » on stage, with a large main system.

**WARNINGS**

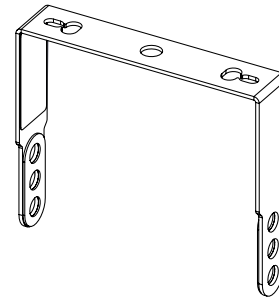
All ID14 accessories are specifically rated in agreement with structural computations.

Never use other accessories – including push-pins – when assembling ID14 cabinets than the ones provided by NEXO: NEXO will decline responsibility over the entire ID14 accessory range if any component is purchased from different supplier.

**PROHIBITED: ID14 below ID14 or ID14 below IDS108 without dedicated accessory**

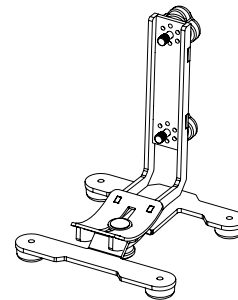
**IDT-HBRK14**

Bracket for Touring or fixed use.



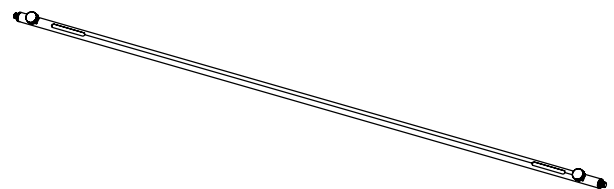
**IDT-GSTK14**

Ground stacking accessory.



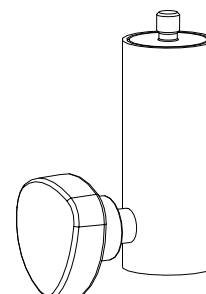
**IDT-POLE20X1400**

Distance Rod for ID14 and IDS108  
 Ø20mm x 1400mm



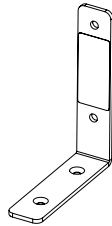
**IDT-TVP**

Bolt adapter M10 to 35mm.

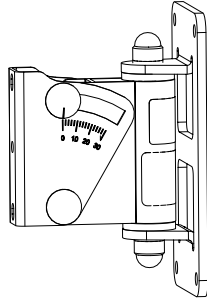




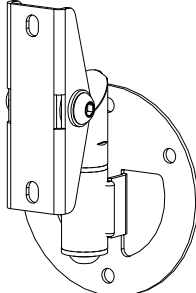
**IDI-14TO108**

<p>Adapter for ID14 on IDS108.</p>	
------------------------------------	---

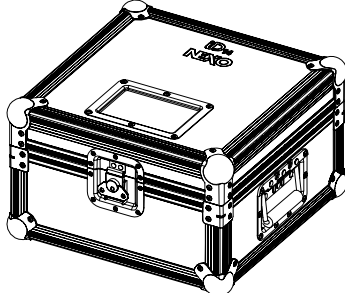
**IDI-WM01**

<p>Speaker wall mount; 0° to 30°.</p>	
---------------------------------------	---

**IDI-WB02**

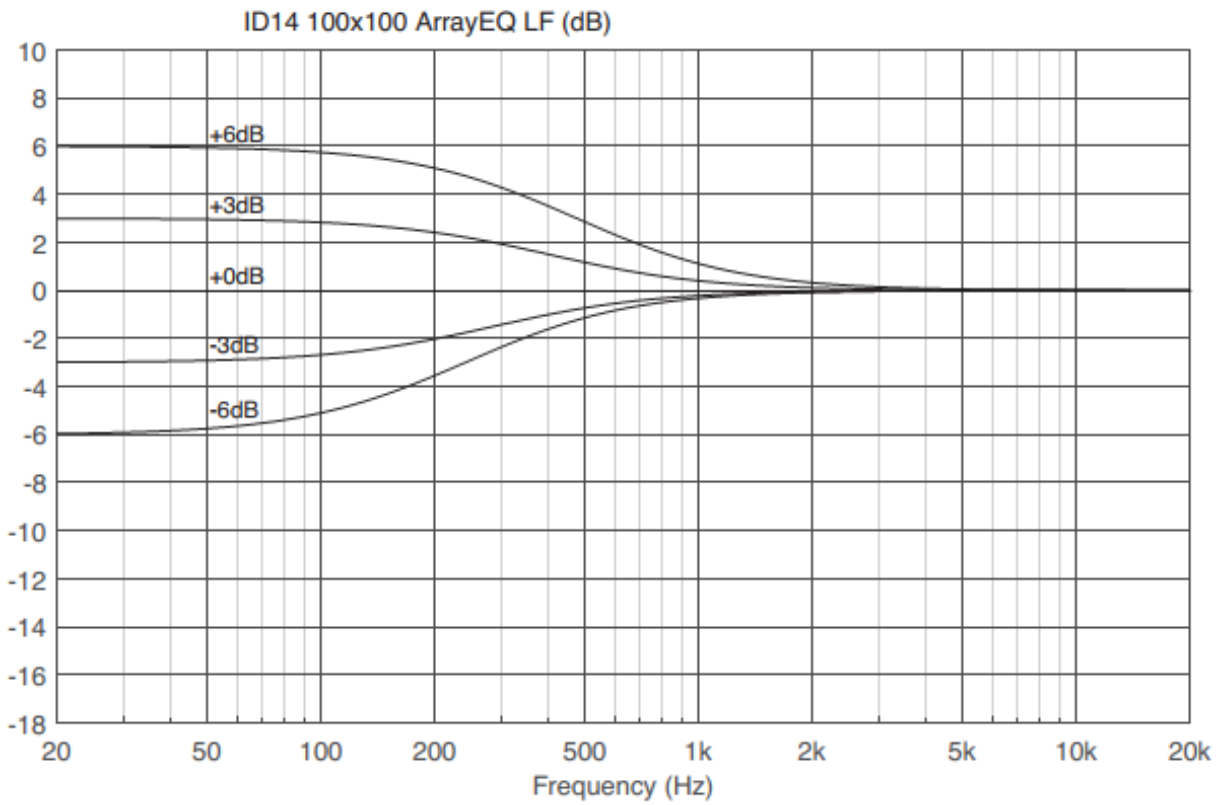
<p>Universal speaker wall mount</p>	
-------------------------------------	--

**IDT-4CASE14**

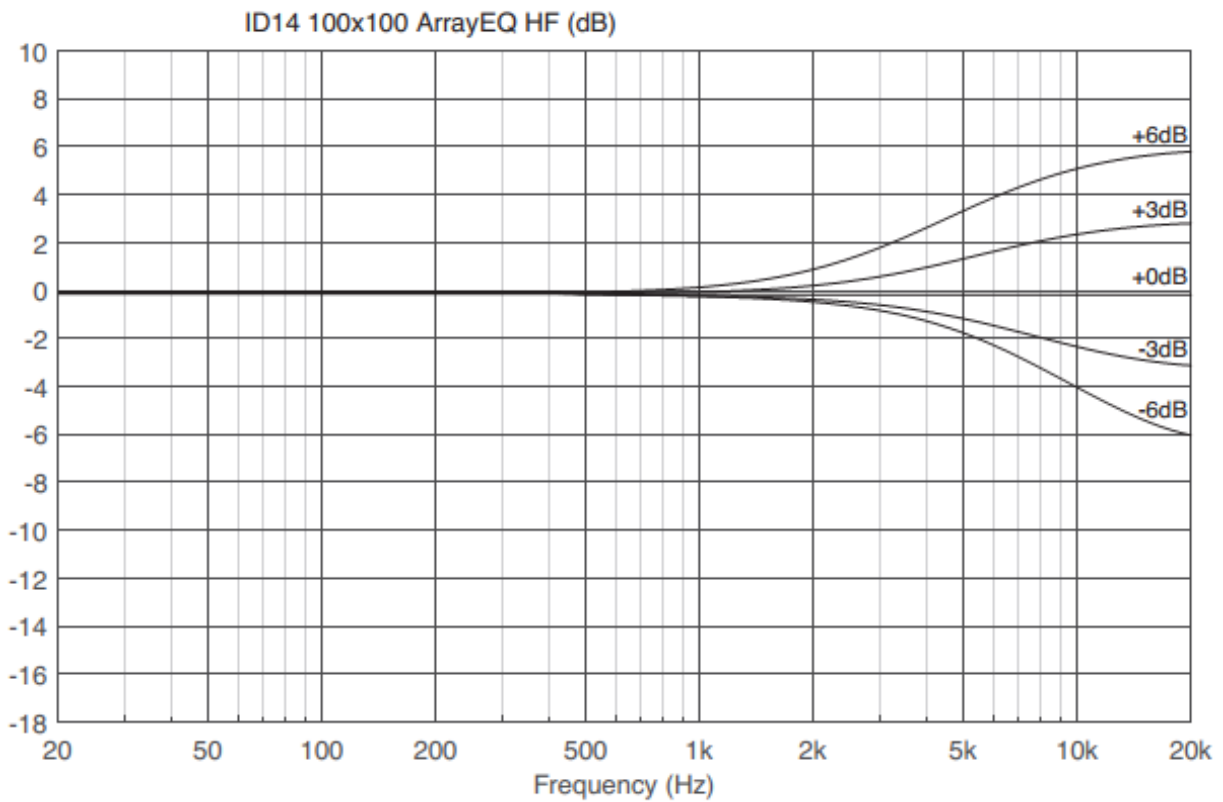
<p>Flight case for 4x ID14 and accessories</p>	
--	--

**ARRAY EQ**

The ArrayEQ allows to adjust the system frequency response in its lower range  
(see curves below, with different ArrayEq values):



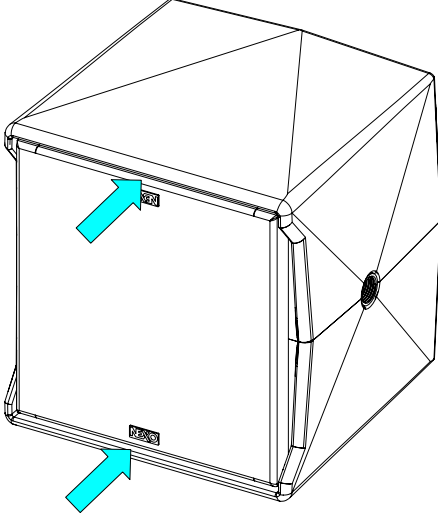
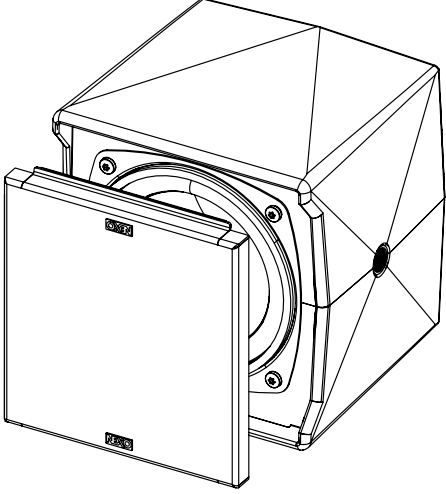
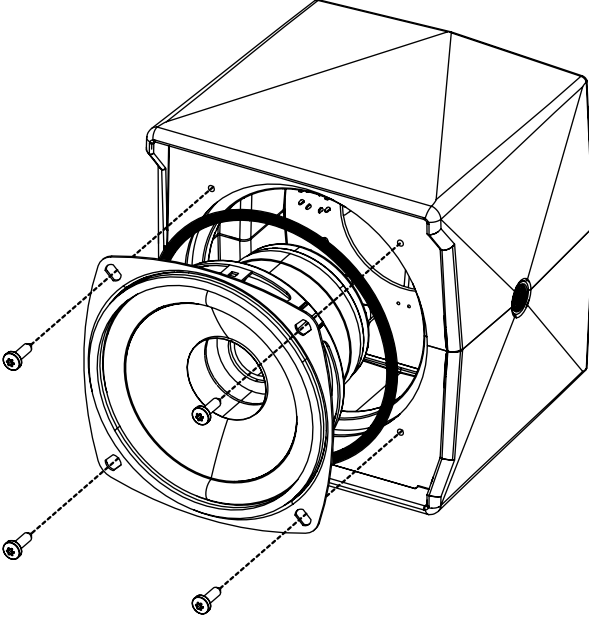
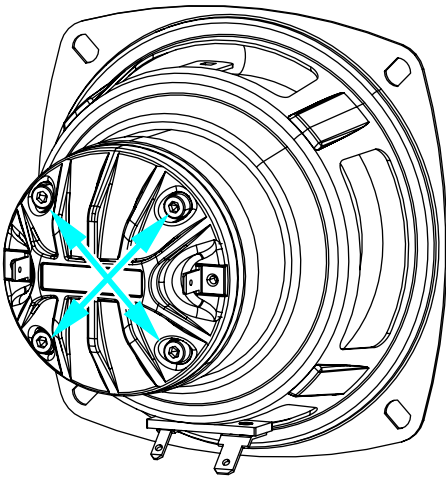
ArrayEQ HF: only available on NXAMPmk2



**MAINTENANCE**

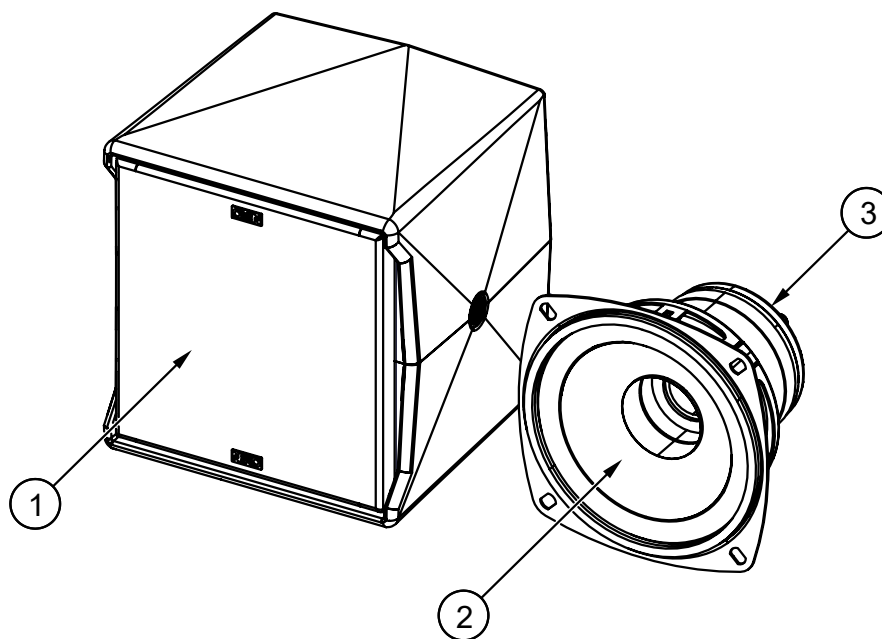
**NOTE:**  
Speakers and Grills can be sent back to NEXO for recycling

**Driver access**

<p><b>1</b> Place a flat screwdriver in the space between the grille and the cabinet to unlock the grille.</p>	<p><b>2</b> Remove the grille</p>
	
<p><b>3</b> Remove 4 screws to access to the speaker, make sure the gasket is correctly located when reassembling.</p>	<p><b>4</b> To access to the HF diaphragm, remove 4 screws.</p>
	

## MAINTENANCE

### Spare parts



MARK	QUANTITY	REFERENCE	DESIGNATION
1	1	05ID14T-A	Complete grille Touring Black
	1	05ID14T-APW	Complete grille Touring White
	1	05ID14I-A	Complete grille Installation Black
	1	05ID14I-APW	Complete grille Installation White
2 (a)	1	05HPC4-100	HP 4" Coaxial 100x100 (with gasket)
	1	05HPC4-140	HP 4" Coaxial 90x140 (with gasket)
3	1	05NHP4R/K	HF Diaphragm (with gasket)

(a) PAY ATTENTION TO THE DIRECTIVITY OF THE DRIVER WHEN ORDERING

**TECHNICAL SPECIFICATIONS**

**ID14 WITH NEXO ELECTRONICS**

Model	ID14
Frequency range ( $\pm 6$ dB)	120 Hz – 20 kHz
Peak SPL Level (1m)	116dB Peak
Operating voltage	20Vrms (105Vpeak)
HF dispersion (upon ordering)	100°x100° - 90°x140°
Crossover Frequency	120Hz – 150 Hz
Nominal Impedance	16 $\Omega$

**SPECIFICATIONS**

Model	ID14
Components	1x Coaxial LF: 4" - 16 $\Omega$ long excursion & HF:1.4 " - 8 $\Omega$ - Neodymium driver
Material	Polyurethane
Finish	Black: raw sandblasted White: structural paint
Front finish	Magnelis® Steel front grille (Touring version) UV resistant acoustic fabric fitted front grille (Install version)
Fittings	1x M10 on each side for dedicated U bracket 2x M6 / 73mm pitch at the back
Connector	2x NL4, 4 poles connectors (Touring version) 1x Cable gland with 2 cores cable (Install version)
Weight	1.7 kg / 3.7 lb

Dimensions	
------------	--





**NEXO S.A.**

Parc d'activité de la Dame Jeanne  
F-60128 PLAILLY

Tel: +33 3 44 99 00 70

Fax: +33 3 44 99 00 30

E-mail: [info@nexo.fr](mailto:info@nexo.fr)

[nexo-sa.com](http://nexo-sa.com)

**NEXO**