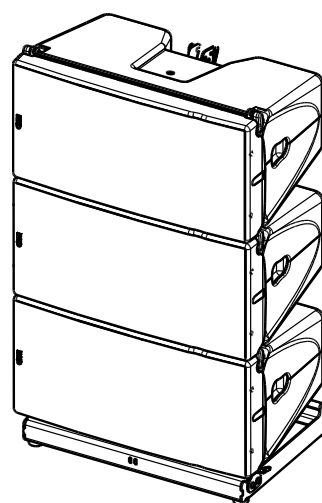
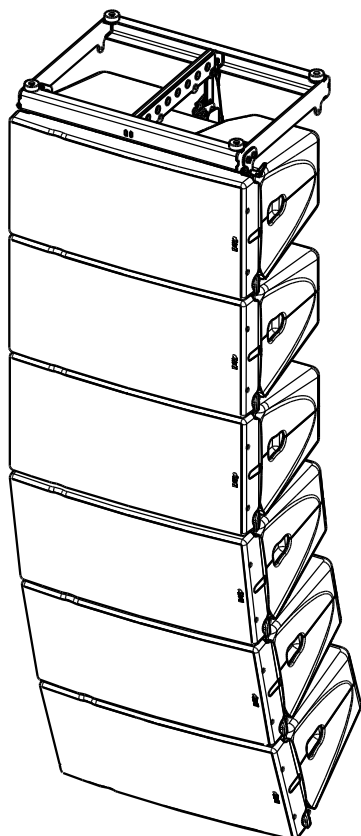
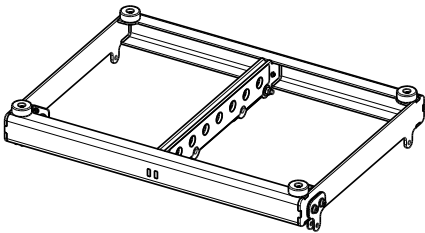
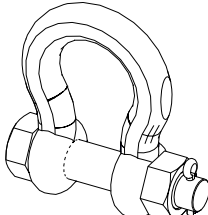


## Bumper for GEOM12

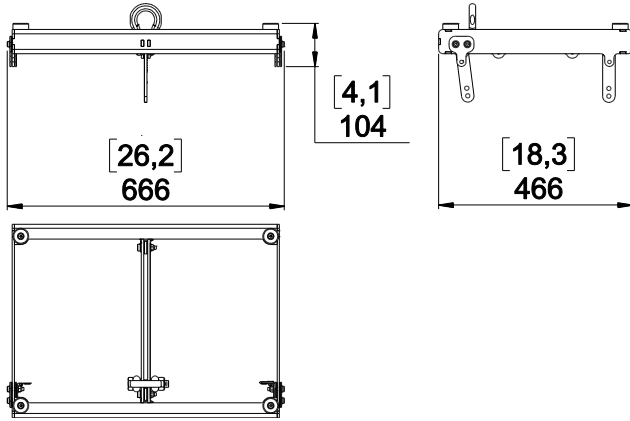


### Contents:

<p><b>X1</b></p>  <p>Quick release pins supplied and slung on GMT-LBUMPM12</p>	<p><b>X1</b></p> <p><b>Shackle 3.25 Tons</b> <b>MANI3.25T</b></p> 
---	--

**Weight: 10.5 kg / 23.1 lb (without Shackle)**

**Dimensions:**



**Use: Max 12x GEOM12 flown on one or two rigging points or 3x GEOM12 stack.**

**HF on the right (stack)**

<p>Remove the two quick release pins <i>BL0820</i>, and the quick release pin of <i>LBUMPM12</i> link bar <i>BL1025</i></p>	<p>Take out <i>GEOM12</i> link bar. Place <i>GEOM12</i> and lock with the 2 quick release pins <i>BL0820</i>.</p>	<p>Adjust the angle with the <i>LBUMPM12</i> link bar. Lock with the quick release pin <i>BL1025</i>.</p>

**HF on the left (stack)**

<p>Remove the quick release pin of <i>LBUMPM12</i> link bar <i>BL1025</i> to unlock it.</p>	<p>Take out <i>GEOM12</i> link bar. Pull the 2 <i>AutoRig</i> in automatic lock position and place <i>GEOM12</i>. Check that it is properly engaged.</p>	<p>Adjust the angle with the <i>LBUMPM12</i> link bar. Lock with the quick release pin <i>BL1025</i>.</p>

**WARNING:** Use shackle model: Alloy Bolt Type Shackles 3.25 Tons  
Use NEXO Simulation Software for mechanical prediction

- NEXO cannot accept responsibility for accidents caused by any factor other than defects in this product itself.
- Please check the web site [nexo-sa.com](http://nexo-sa.com) for the latest update.