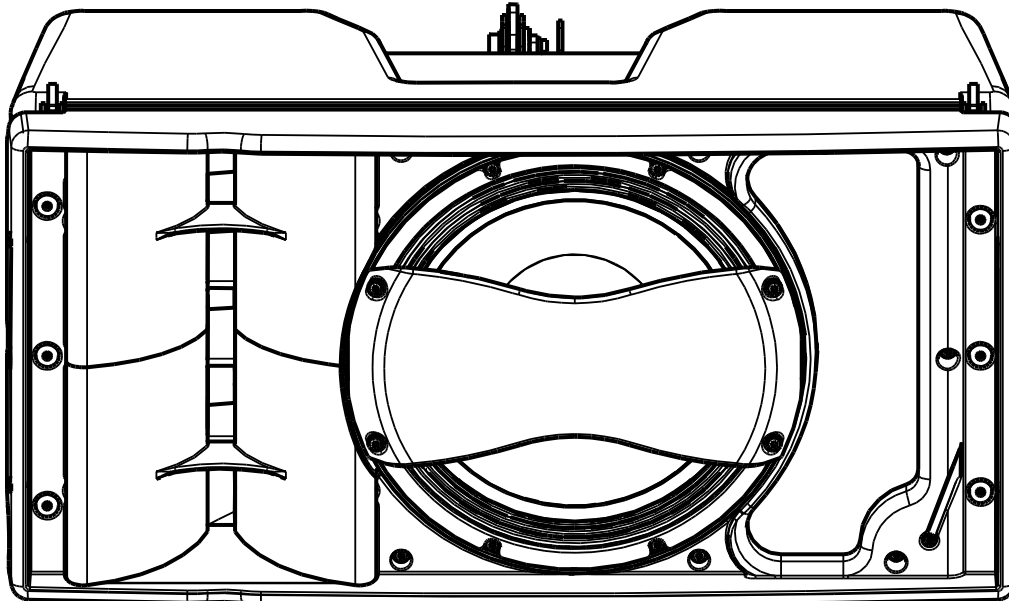
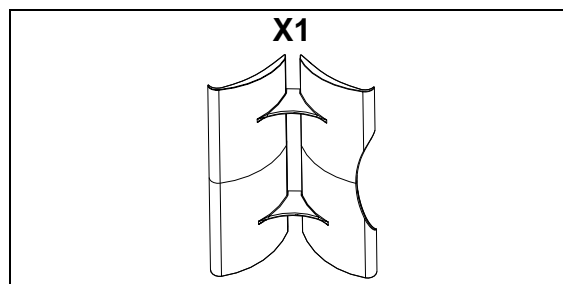


Flanges 120° for GEOM12



Contents:

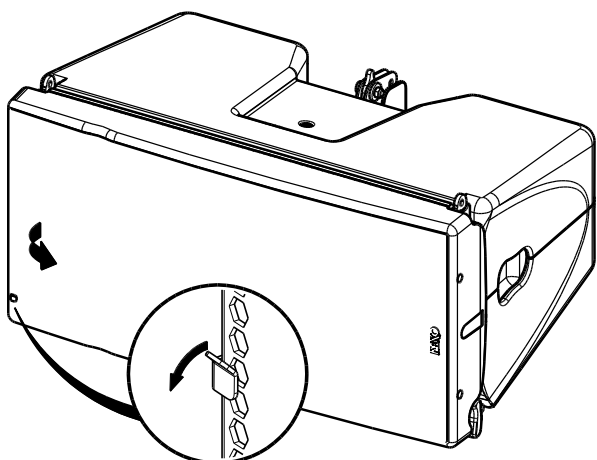


Weight: 1 kg / 2.2 lb

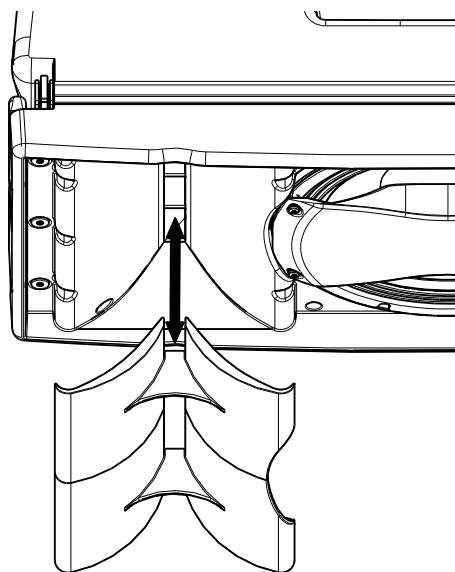
Use:

Implementation / Disassembly

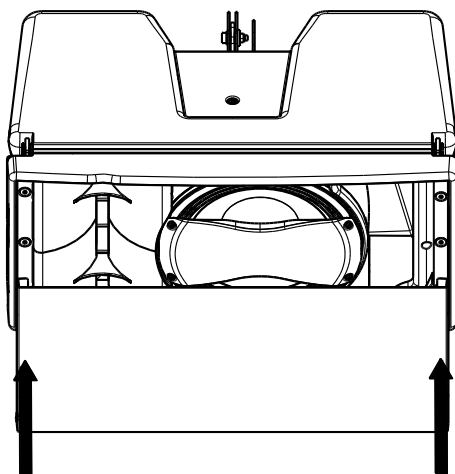
Pull the lever to remove the grille on the side (attached with a sling).
Remove the caps and screws on the sides for GEOM12-I



Place or remove them (magnetic clips).



Place the grille (magnetic clips, or screws and caps).



- NEXO cannot accept responsibility for accidents caused by any factor other than defects in this product itself.
- Please check the web site nexo-sa.com for the latest update.

NEXO

nexo-sa.com
ZA du Pre de la Dame Jeanne
60128 PLAILLY - France

- Read this document before using.
- Keep this document.
- Observe all warnings and cautions.

