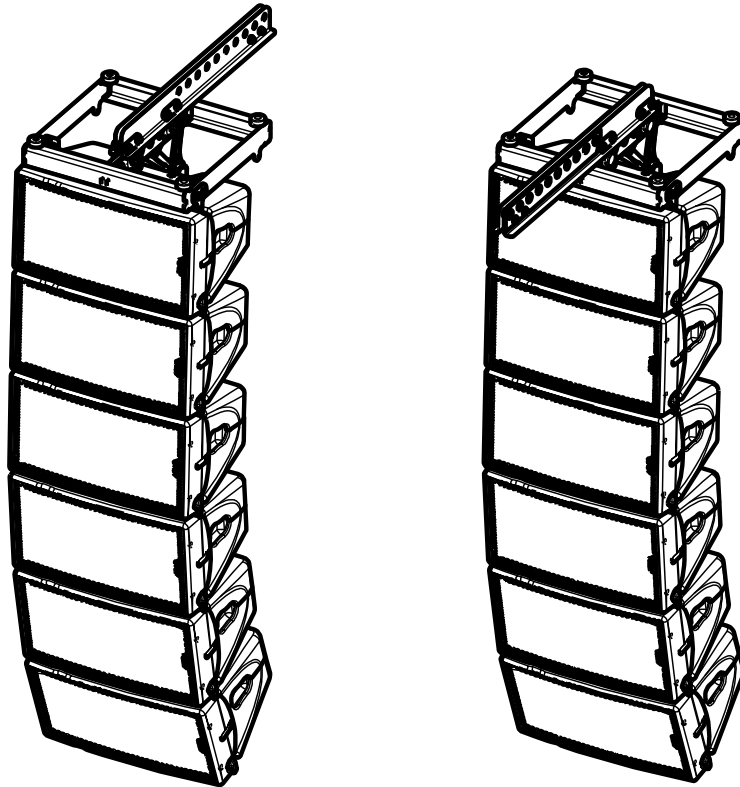
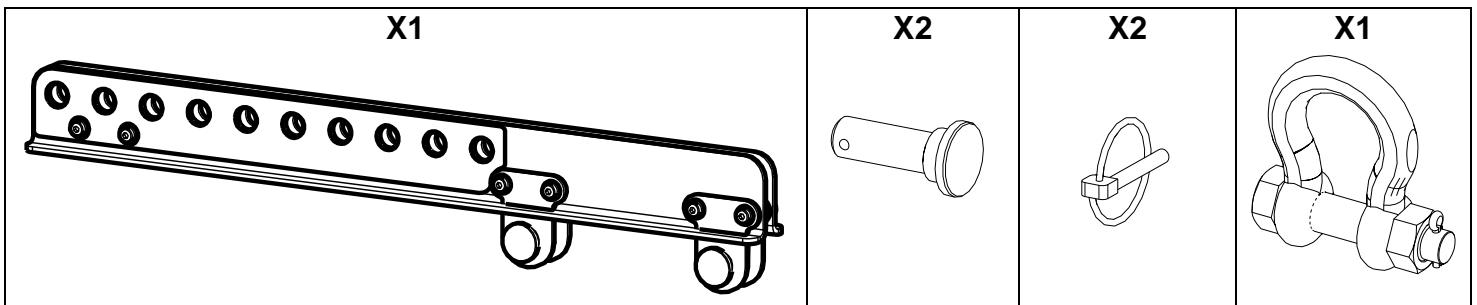


### Extension Bar for GMT-LBUMPM10

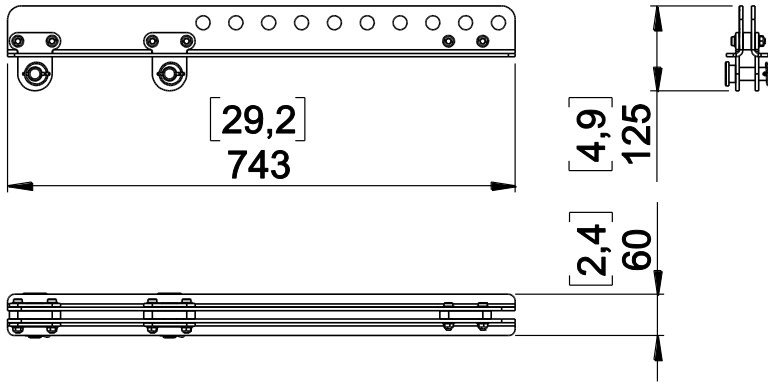


#### Contents:



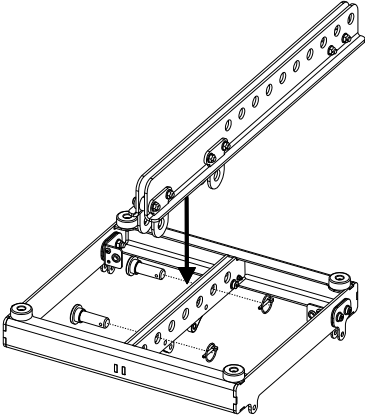
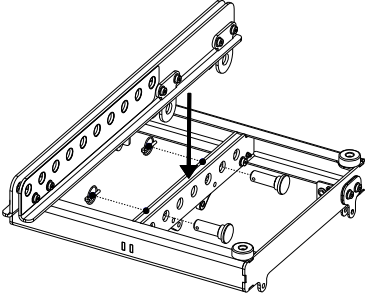
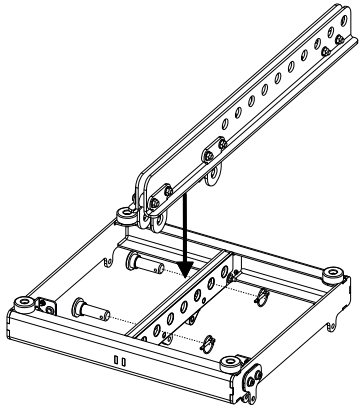
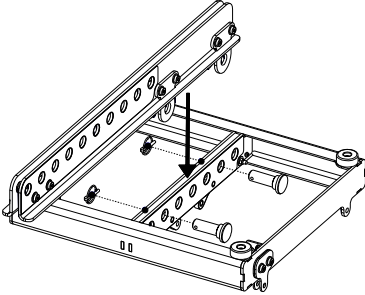
**Weight: 7 kg / 15.5 lb (without shackles)**

**Dimensions:**



**Use:**

**WARNING: Use shackle mode: Alloy Bolt Type Shackle 3.25 Tons**

Assembly for negative tilt	Assembly for positive tilt
<p>HF on left side</p> 	<p>HF on left side</p> 
<p>HF on right side</p> 	<p>HF on right side</p> 

Use NEXO Simulation Software for mechanical prediction



- NEXO cannot accept responsibility for accidents caused by any factor other than defects in this product itself.
- Please check the web site [nexo-sa.com](http://nexo-sa.com) for the latest update.



www.nexo-sa.com  
 ZA du pre de la Dame Jeanne  
 60128 PLAILLY-France

- Read this document before using.
- Keep this document.
- Observe all warnings and cautions.

