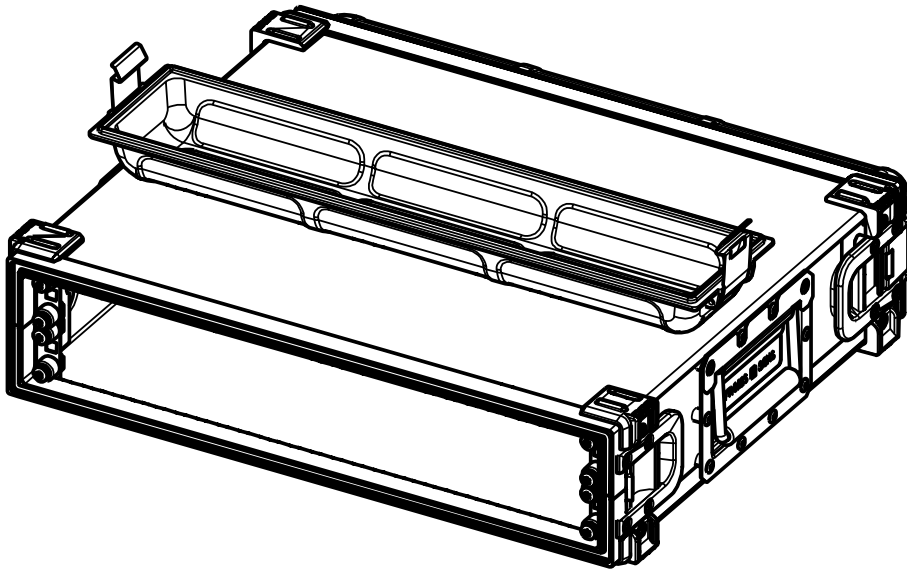
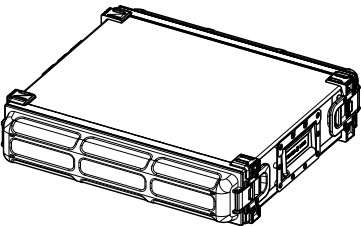
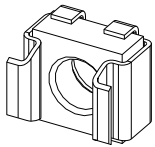
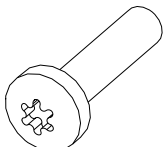
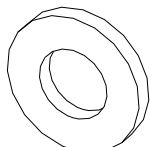
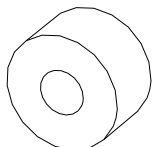


Rack 2U 440mm with fastener

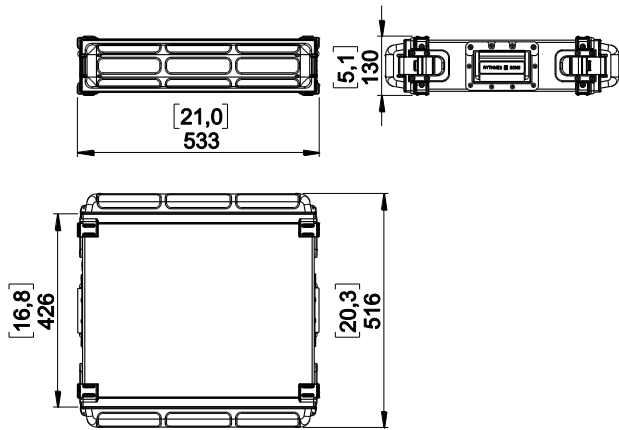


Contents:

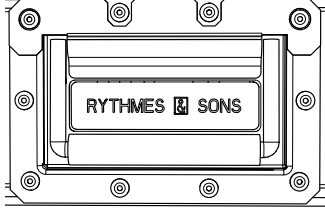
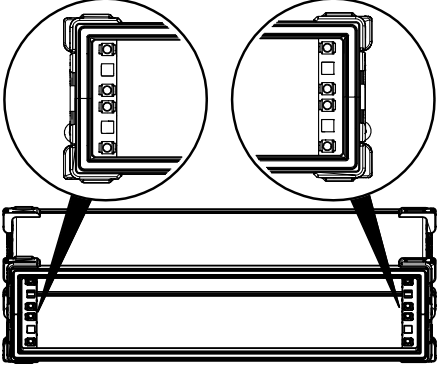
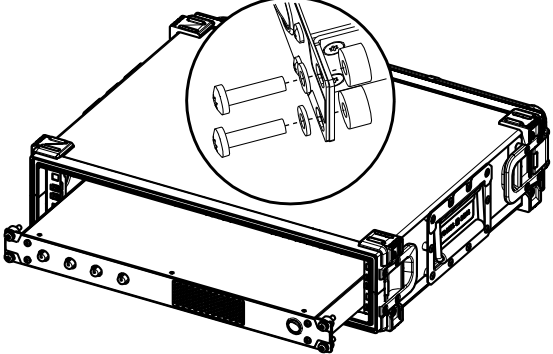
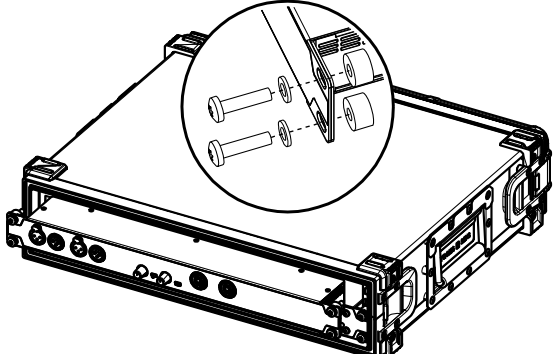
<p>X1</p> 	<p>X8 Cage Nut M6</p> 	<p>X8 6x25</p> 	<p>X8 M6</p> 	<p>X8 6.2 - 16</p> 
--	---	--	--	--

Weight: 6 kg / 13.3 lb

Dimensions:



Assembly:

<ul style="list-style-type: none">- Install the 8 cage nuts.- Place the rack in the correct position (see the writing in the side handles).  <p>RYTHMES & SONS</p>	
<ul style="list-style-type: none">- Insert the DTDAMP, the spacers are between the product and the rail).- Put the fixing screws, without tightening them completely.	
<ul style="list-style-type: none">- Wire the DTD before assembling.- Insert the DTD, the spacers are between the product and the rail.- Put the fixing screws.- Now, tight the 8 fixing screws.- Wire the DTDAMP.	

Please refer to DTD and DTDAMP user manuals.

- NEXO cannot accept responsibility for accidents caused by any factor other than defects in this product itself.
- Please check the web site <https://nexo-sa.com> for the latest update.

NEXO

<https://nexo-sa.com>
ZA du Pre de la Dame Jeanne
60128 PLAILLY - France

- Read this document before using.
- Keep this document.
- Observe all warnings and cautions.